

**GRIPPING
SOLUTIONS
THE NEW M-SERIES**

PALFINGEREPSILON.COM



POWER.
WHENEVER.



PALFINGER EPSILON.

At PALFINGER EPSILON the issue of sustainability starts where others finish. We don't just limit ourselves to a few specific fields when we talk about sustainable solutions. We create forward-thinking, economical and environmentally friendly systems in every area of the company.

Our customers are assured of the best possible product quality, delivered in the shape of efficient, custom-made, ecologically sound solutions. We apply the same high standards to our own work, and that of our employees. The sparing use of resources achieved by developing innovative solutions is of long-term benefit to the environment.

This is what makes PALFINGER EPSILON a partner you can rely on – a life long!



WE UNITE WHAT BELONGS TOGETHER

The new PALFINGER EPSILON M-Series is a perfect unity of design, comfort and technology. The result is a product that fulfills every individual requirement, and even exceeds expectations.

PALFINGER EPSILON new M-Series sets new standards in design. The new high-seat Masterdrive offers operators absolute comfort and convenience, and the multifunctional command centre provides the ultimate in precision crane manipulation. The new M-Series technology impresses immediately, and thanks to extended boom reach capacities customers benefit from increased operational productivity.

The new PALFINGER EPSILON M-Series is a system that serves every individual requirement, and customers can rely on a product that unites the very best in design, comfort and technology.

The PALFINGER EPSILON M-Series –
The crane for your requirements.





ANGER
SILON M12Z

Master Driver

FROM PLANS TO CRANES

How we combine theory and practise.



Ensuring excellence in design, comfort and technology requires taking a variety of perspectives. At PALFINGER EPSILON we bring together all the best brains in the business to generate the best possible preconditions for innovative solutions.

Together with experts in the field of industrial design we draw inspiration from a whole range of solutions, conventional and unconventional. We play with concepts and reject them again until, finally, what starts as a vague idea develops into a completely new product.

Concepts may look great on the drawing board but also need to perform out in the real world. That's where Hermann, our highly experienced test driver, comes in. He does a whole range of stringent and tough tests on all the latest developments that come out of PALFINGER EPSILON. The sophisticated interplay of theory and practice ensures the final product is a perfect combination of design, comfort and technology – so that we can guarantee our customers exactly what they expect:

Quality you can rely on!
PALFINGER EPSILON.



SAFE IN THE SADDLE

Master Drive is the new high seat from PALFINGER EPSILON.

PALFINGER EPSILON has once again raised the bar for comfort and user-friendliness with a new high seat. Masterdrive enables the operator to enjoy full control of all operational commands. Thanks to the benefits of the most sophisticated design and technology this crane can be operated with a minimum of effort. The ergonomic shape of the comfortable and convenient mechanical suspension high seat guarantees great comfort, and the multifunctional arm rest puts every command at the operator's fingertips.



Multifunctional arm rest

The multifunctional arm rest puts every command at the operator's fingertips.

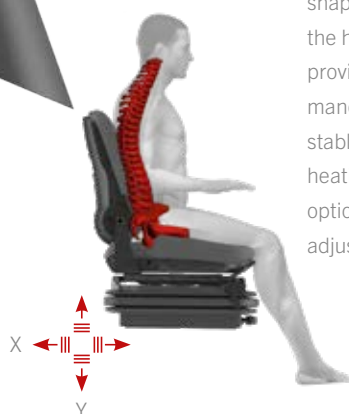
Hydraulic servo joysticks

Hydraulic servo joysticks facilitate precise operation.



High-comfort high seat provides horizontal and vertical suspension

The comfortable, ergonomically-shaped seat from the house of GRAMMER provides maximum manoeuvrability, secure and stable seating, as well as seat heating, weight adjustment options and mechanically adjustable lumbar support.





ALL UNDER THE HOOD

EPSHOOD Fold-away mechanism

The pneumatic fold-away weather hood facilitates a more compact operating position.

Weather shield hood position

Hood in open position

Extremely compact construction





EPSHOOD –
The protective hood for safe crane operation.

The EPSHOOD crane operator hood is a newly developed weather shield and gives the driver excellent protection from the elements while operating the crane. The foldaway mechanism and tinted plastic hood keep out the sun, rain and wind during the whole operating process, making every job a pleasant and comfortable experience.

EPSILON M12Z

Service openings

Easily accessible service openings make the replacement of hoses a quick and easy procedure.

Inside hose routing

The unique, inside hose routing solution ensures the risk of damage is minimised and the cost of wear and tear reduced.

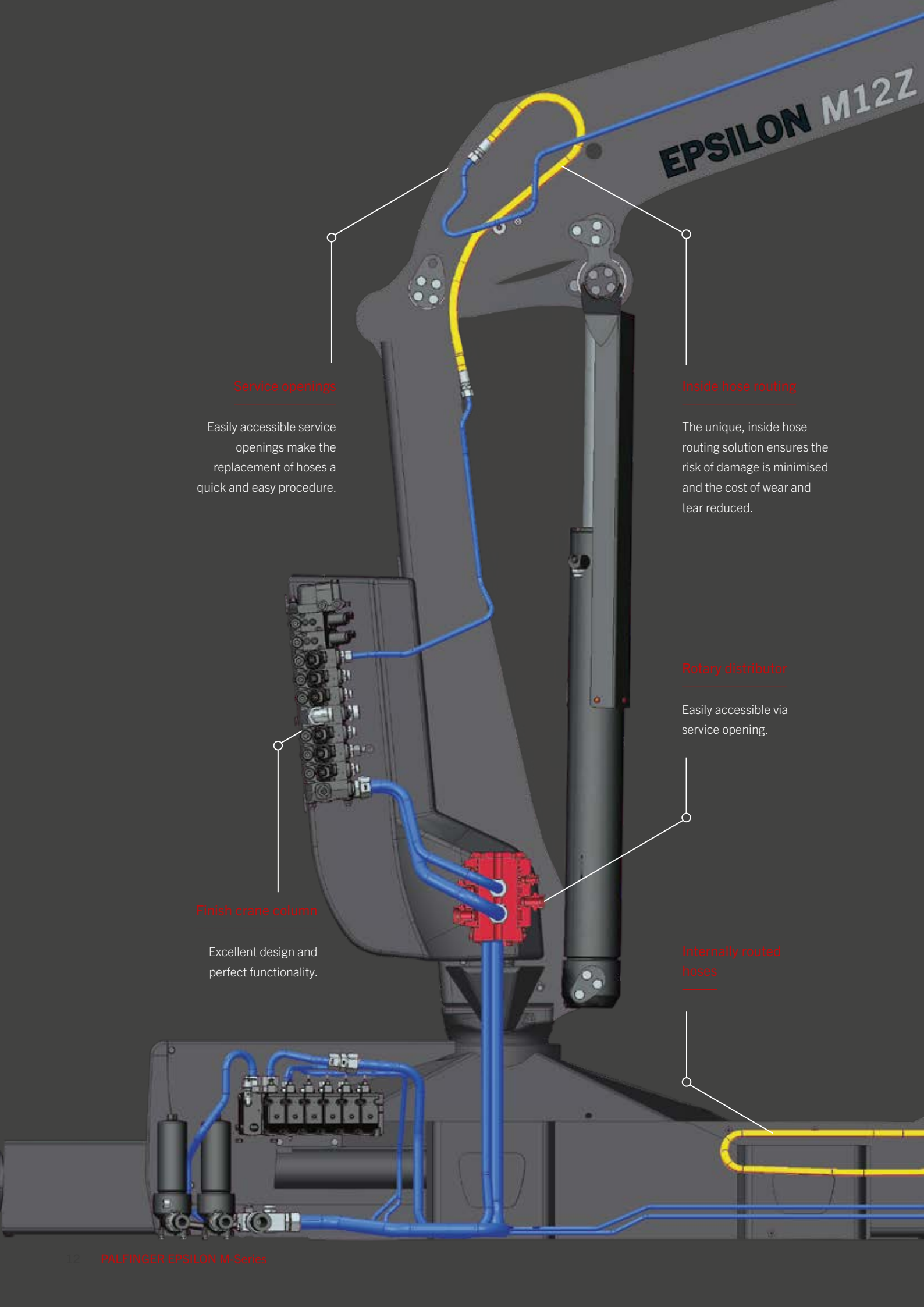
Rotary distributor

Easily accessible via service opening.

Finish crane column

Excellent design and perfect functionality.

Internally routed hoses

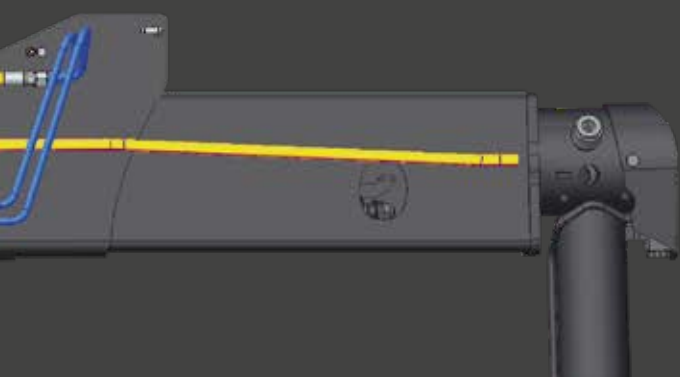


WORTH HIDING

Easily accessible inside hose routing.

No other crane manufacture can offer anything like the ease of service and technical convenience provided by PALFINGER EPSILON. The unique inside hose routing enables crane operators to gain quick and easy on-the-job service access. Inside hose routing also reduces the risk of damage to the hoses. Service openings on the crane make replacement a simple task and help to save time and money.

Service openings



- Rotary distributor
- Hose routing
- Pipe routing



10,5m outreach



8,3m outreach - single

**DUE TO ITS
GREATER REACH**

Outreach - double telescope



Outreach double telescope

The new design of the double telescope system provides up to 900mm more reach than the predecessor. The longest reach in its field.

telescope



Height reduction

The new arm geometry has made it possible to build an even more compact crane with an extra 100mm of ground clearance.

TECHNICAL DETAILS

MZ

1. Outreach

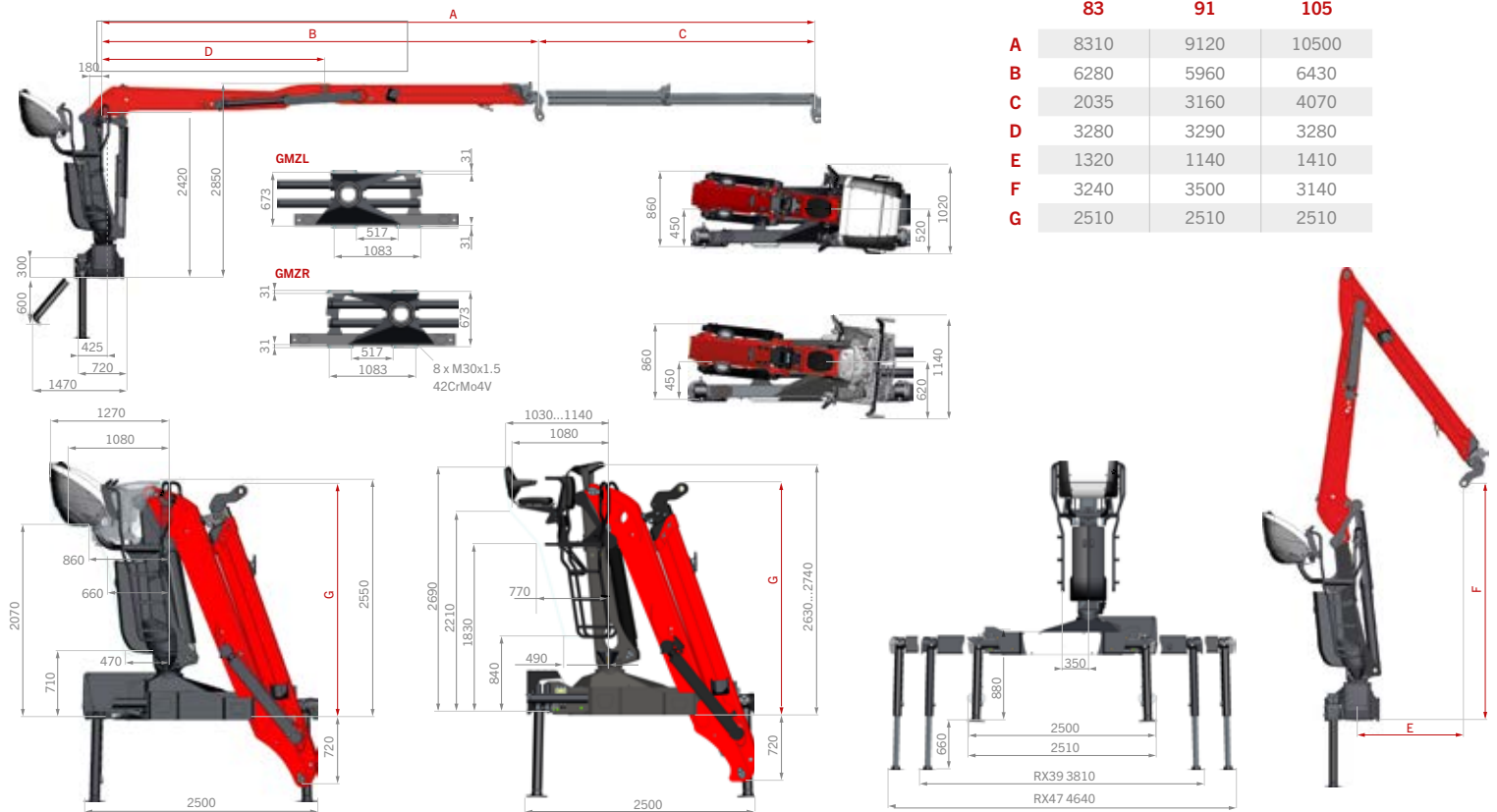
83=8,30 m
91=9,10 m
105=10,50 m

2. Details

		M10Z			M10ZD			M12Z			M13Z		
		83	91	105	83	91	105	83	91	105	83	91	105
Lifting moment net	[kNm]	93	91	87	82			109	107	104	124	107	104
Slewing torque net	[kNm]		24			24			28			28	
Slewing angle	[°]		425			425			425			425	
Max. Outreach	[m]	8,3	9,1	10,5	8,3			8,3	9,1	10,5	8,3	9,1	10,5
Operating pressure	[bar]		230			210			260			290	
Recommended pump capacity	1K [l/min]		1x80			1x80			1x80			1x80	
	2K [l/min]		2x70			2x70			2x70			2x70	
	1K LS [l/min]		1x150			1x150			1x150			1x150	
Dead weight without link/rotator	[kg]	2300	2350	2430	2340	2390	2470	2340	2390	2470	2350	2400	2480
Master Drive													
Dead weight without link/rotator	[kg]	2180	2230	2310	2220	2270	2350	2220	2270	2350	2230	2280	2360
Classic Drive													

3. Dimensions

Fixed size | variable size



4. Lifting power

Outreach (m)	Model	83							91				105								
		3m	4m	5m	6m	7m	8m	3m	4m	5m	6m	7m	8m	8m	9m	10m					
1	M10Z83	3100	2320	1840	1510	1280	990	3040	2270	1790	1480	1250	1070	2900	2170	1730	1420	1190	1020	890	680
2	M10ZD83	2720	2060	1630	1340	1130	880	2680	2020	1590	1310	1100	950	2570	1950	1540	1250	1050	900	780	620
3	M12Z83	3630	2720	2160	1790	1510	1170	3580	2680	2120	1750	1480	1280	3470	2600	2070	1700	1430	1230	1080	800
4	M13Z83	4050	3120	2470	2050	1740	1520	4020	3050	2440	2020	1710	1480	3900	3010	2390	1960	1660	1430	1250	890

ML

1. Outreach

80=8,00m
83=8,30m
97=9,70m

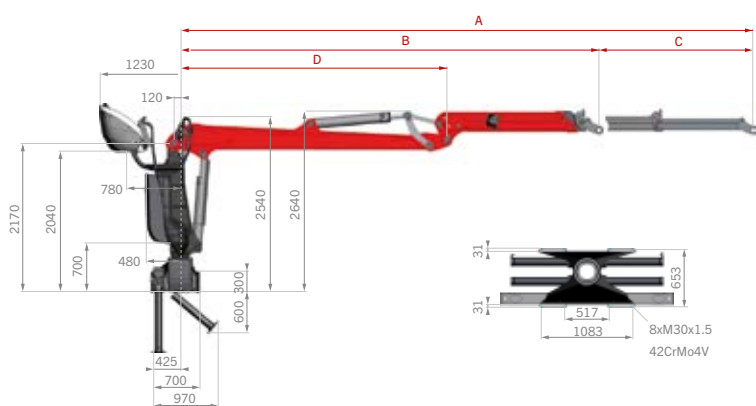
Lifting moment net	[kNm]
Slewing torque net	[kNm]
Slewing angle	[°]
Max. Outreach	[m]
Operating pressure	[bar]
Recommended pump capacity	1K [l/min]
	2K [l/min]
	1K LS [l/min]
Dead weight without link/rotator	[kg]
Master Drive	
Dead weight without link/rotator	[kg]
Classic Drive	

2. Details

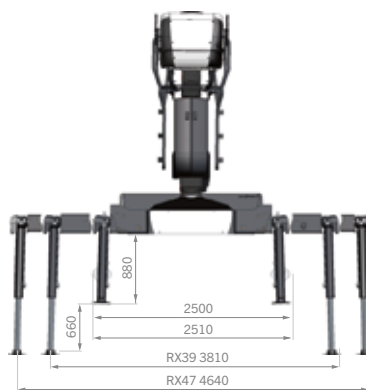
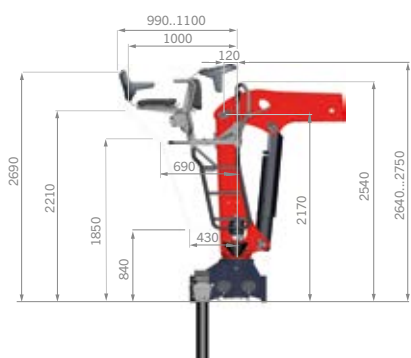
	M10L			M10LD			M12L			M13L		
	80	83	97	80	83	97	80	83	97	80	83	97
Lifting moment net	97	95	93	85	95	93	115	113	110	115	113	110
Slewing torque net	24			24			28			28		
Slewing angle	425			425			425			425		
Max. Outreach	8,0	8,3	9,7	8,0	8,3	9,7	8,0	8,3	9,7	8,0	8,3	9,7
Operating pressure	220			200			250			280		
Recommended pump capacity	1x80			1x80			1x80			1x80		
	2x70			2x70			2x70			2x70		
	1x150			1x150			1x150			1x150		
Dead weight without link/rotator	2140	2160	2230	2210	2230	2300	2210	2230	2300	2220	2240	2310
Master Drive												
Dead weight without link/rotator	2020	2040	2110	2090	2110	2180	2090	2110	2180	2100	2120	2190
Classic Drive												

3. Dimensions

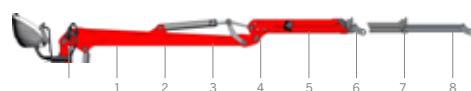
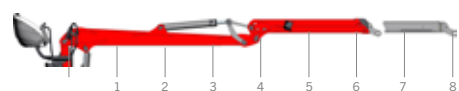
Fixed size | variable size



	80	83	97
A	8000	8340	9720
B	6420	6100	6560
C	1580	2240	3160
D	3880	3880	3880
E	3680	3980	3510



4. Lifting power



	3m	4m	5m	6m	7m	8m	9m
80							
M10L80	3230	2420	1930	1590	1360	1190	
M10LD80	2690	2140	1700	1400	1190	960	
M12L80	3830	2860	2270	1880	1600	1360	
M13L80	4290	3280	2620	2180	1860	1500	
83							
M10L83	3160	2370	1880	1560	1320	1150	
M10LD83	2640	2110	1670	1380	1170	1010	
M12L83	3770	2830	2240	1860	1580	1370	
M13L83	4230	3260	2590	2160	1840	1580	
97							
M10L97	3070	2320	1820	1500	1270	1090	960
M10LD97	2550	2050	1620	1320	1120	960	830
M12L97	3690	2760	2190	1800	1530	1320	1170
M13L97	4130	3200	2540	2100	1780	1540	1240

YOUR PARTNER FOR THE FUTURE

Each and every PALFINGER EPSILON product is far more than just the sum of its parts. Throughout the entire company we adhere to the very latest standards, and on behalf of our customers we strive unceasingly to provide sustainable, innovative, bespoke solutions. We consider customer satisfaction to be of the utmost importance; so you can rely on PALFINGER EPSILON to deliver long-lasting, low-maintenance products that are economical to run in terms of costs and the consumption of resources.

We are constantly working on the development of solutions to offer long-term viability. We give our staff at the development centre plenty of encouragement and set them plenty of challenges; and today's reconstruction work on the company headquarters is taking place to guarantee we have the necessary capacity to serve customers in the years to come.

Working in cooperation with our partners we continue to do everything within our power to provide innovative, custom-built products that deliver the best possible solutions for your needs.

PALFINGER EPSILON.





New development centre and assembly

EPSILON KRAN GMBH
Christophorusstraße 30
5061 Elsbethen-Glasenbach | Austria
Tel +43 662 629548-0
epsilon@palfinger.com

KP-PR081 is meant for international use. The availability of some models and the model and special equipment may vary from country to country. EPSILON reserves the right to change design or technical specification at any time without prior notice. Any changes would not be applied retrospectively to previously sold units. Information, description and illustrations are correct at time of going to print, but may also be changed without prior notice. Illustrations may show certain country specific executions and special equipment, and therefore may not be complete standard execution. Measure data without obligation. Lifting capacity presentations are standard illustrations and don't correspond the optimize boom position, where the maximum lifting capacity can be reached.