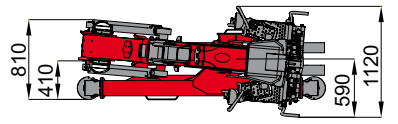
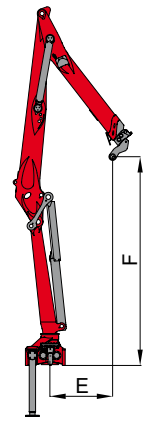
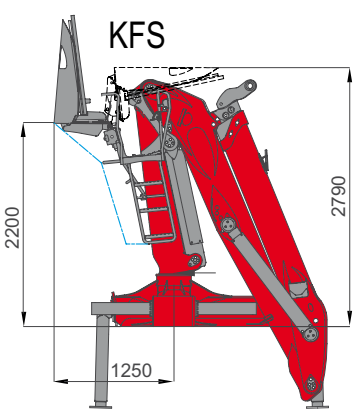
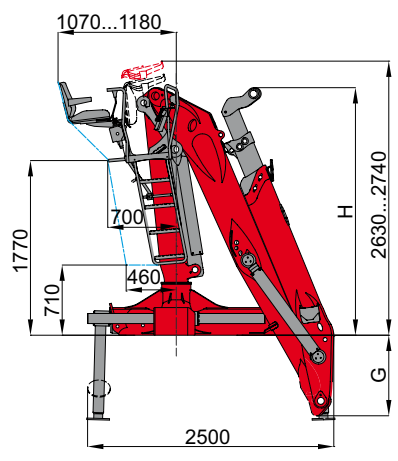
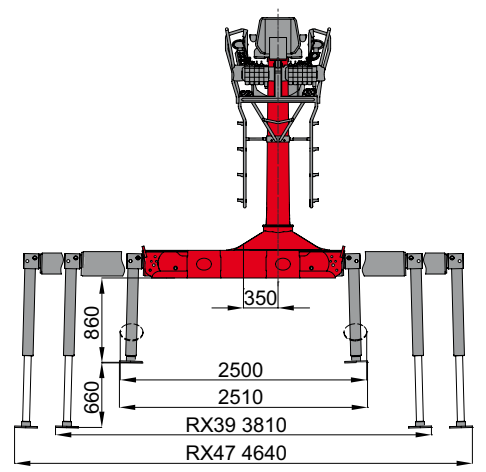
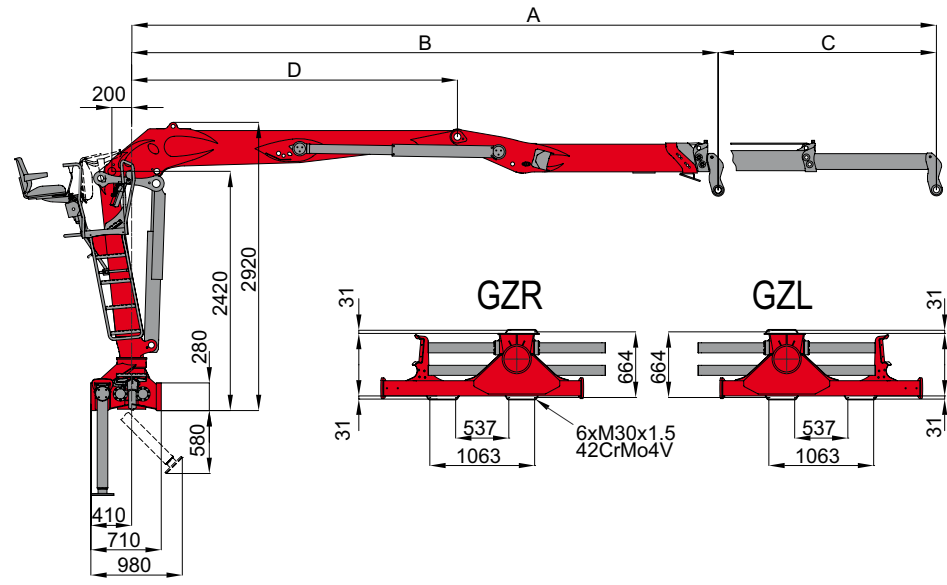


**M100Z
M110Z
M120Z/M130Z HPLS
M100ZD**

WWW.PALFINGEREPSILON.COM





| | 82 | 79 | 96 | 77 |
|---|------|------|------|------|
| A | 8180 | 7860 | 9560 | 7655 |
| B | 5940 | 6280 | 6400 | 5415 |
| C | 2240 | 1580 | 3160 | 2240 |
| D | 3300 | 3300 | 3300 | 2775 |
| E | 1060 | 1280 | 1350 | 1070 |
| F | 3520 | 3260 | 3160 | 3040 |
| G | 820 | 820 | 820 | 180 |
| H | 2510 | 2510 | 2510 | 2595 |

82

| Model | 3060 | 2290 | 1810 | 1490 | 1260 | 1050 |
|---------|------|------|------|------|------|------|
| M100Z82 | 3060 | 2290 | 1810 | 1490 | 1260 | 1050 |
| M110Z82 | 3290 | 2480 | 1960 | 1620 | 1370 | 1160 |
| M120Z82 | 3540 | 2650 | 2110 | 1740 | 1480 | 1270 |
| M130Z82 | 4020 | 3020 | 2400 | 1990 | 1690 | 1460 |
| | 3m | 4m | 5m | 6m | 7m | 8m |

96

| Model | 2990 | 2230 | 1760 | 1450 | 1220 | 1050 | 910 |
|----------|------|------|------|------|------|------|------|
| M100Z96 | 2990 | 2230 | 1760 | 1450 | 1220 | 1050 | 910 |
| M110Z96 | 3230 | 2420 | 1910 | 1570 | 1330 | 1140 | 1000 |
| M120Z96 | 3480 | 2600 | 2070 | 1700 | 1430 | 1230 | 1080 |
| M130Z96 | 3950 | 2960 | 2360 | 1950 | 1650 | 1430 | 1210 |
| M100ZD96 | 2620 | 1950 | 1540 | 1260 | 1060 | 900 | 790 |
| | 3m | 4m | 5m | 6m | 7m | 8m | 9m |

79

| Model | 3100 | 2330 | 1850 | 1530 | 1290 |
|---------|------|------|------|------|------|
| M100Z79 | 3100 | 2330 | 1850 | 1530 | 1290 |
| M110Z79 | 3330 | 2490 | 1990 | 1650 | 1400 |
| M120Z79 | 3580 | 2700 | 2140 | 1780 | 1510 |
| M130Z79 | 4070 | 3070 | 2450 | 2020 | 1720 |
| | 3m | 4m | 5m | 6m | 7m |

77

| Model | 3120 | 2350 | 1860 | 1530 | 1290 |
|---------|------|------|------|------|------|
| M100Z77 | 3120 | 2350 | 1860 | 1530 | 1290 |
| M110Z77 | 3380 | 2530 | 2010 | 1660 | 1400 |
| M120Z77 | 3610 | 2720 | 2150 | 1780 | 1510 |
| M130Z77 | 4090 | 3080 | 2450 | 2030 | 1710 |
| | 3m | 4m | 5m | 6m | 7m |

| | | M100Z | | | | M110Z | | | | M120Z | | | | M130Z HPLS | | | | M100ZD |
|-------------------------|---------------|---------|------|------|------|-------|------|------|------|-------|------|------|------|----------------|------|------|------|--------|
| | | 82 | 79 | 96 | 77 | 82 | 79 | 96 | 77 | 82 | 79 | 96 | 77 | 82 | 79 | 96 | 77 | 96 |
| ONROAD RECYCLING | | | | | | | | | | | | | | | | | | |
| | [kNm] | 92 | 93 | 90 | 94 | 99 | 99 | 97 | 101 | 107 | 109 | 105 | 108 | 121 | 123 | 119 | 123 | 79 |
| | [kNm] | 24 | | | | 27 | | | | 28 | | | | 28 | | | | 24 |
| | [°] | 425 | | | | | | | | | | | | | | | | |
| | [m] | 8,2 | 7,9 | 9,6 | 7,7 | 8,2 | 7,9 | 9,6 | 7,7 | 8,2 | 7,9 | 9,6 | 7,7 | 8,2 | 7,9 | 9,6 | 7,7 | 9,6 |
| | [bar] | 230 | | | | 245 | | | | 260 | | | | 260 (290 HPLS) | | | | 210 |
| | 1K [l/min] | 1 x 80 | | | | | | | | | | | | | | | | |
| | 2K [l/min] | 2 x 70 | | | | | | | | | | | | | | | | |
| | 1K LS [l/min] | 1 x 150 | | | | | | | | | | | | | | | | |
| | [kg] | 2150 | 2100 | 2200 | 2140 | 2180 | 2130 | 2230 | 2170 | 2220 | 2170 | 2270 | 2210 | 2230 | 2180 | 2280 | 2220 | 2270 |
| | RX39 [kN] | 85 | | | | 87 | | | | 92 | | | | 103 | | | | 81 |
| | RX47 [kN] | 69 | | | | 71 | | | | 75 | | | | 84 | | | | 66 |