

# Technical Specification

## Hydraulic crane

### PK 14502 SH

(S204-SK-D)

---

Edition 04/2012

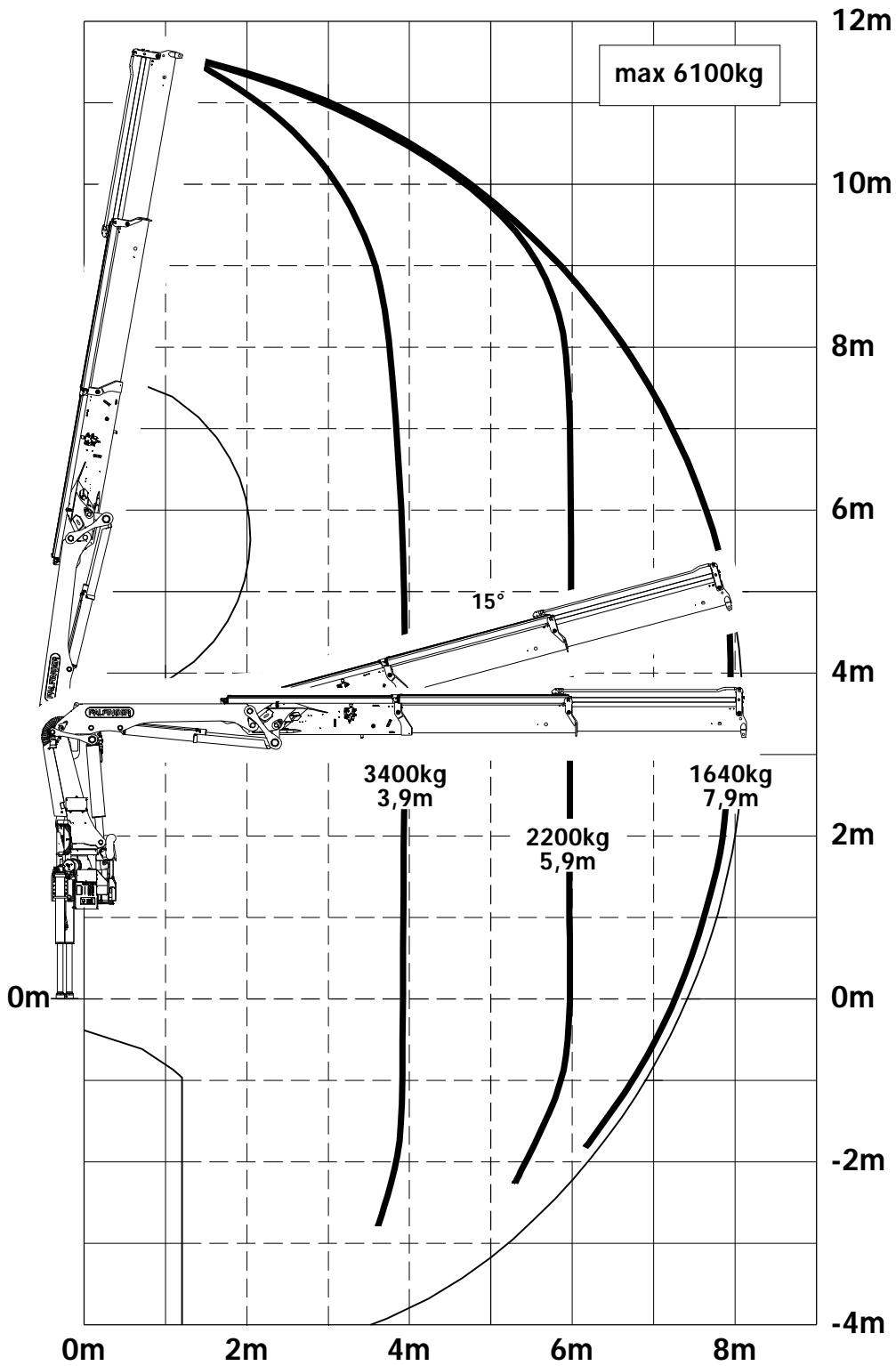
EN

---

PALFINGER AG  
Lamprechtshausener Bundesstraße 8  
5101 Bergheim / Austria  
[www.palfinger.com](http://www.palfinger.com)

Page	
<b>020</b>	<b>LIFTING CAPACITY DIAGRAM</b>
020.01100	Lifting capacity diagram PK 14502-SH A
020.02100	Lifting capacity diagram PK 14502-SH B
020.03100	Lifting capacity diagram PK 14502-SH C
020.04100	Lifting capacity diagram PK 14502-SH D
020.05100	Lifting capacity diagram PK 14502-SH E
020.06100	Lifting capacity diagram PK 14502-SH B PJ060 AJV2
020.07100	Lifting capacity diagram PK 14502-SH B PJ060 BJV2
020.08100	Lifting capacity diagram PK 14502-SH C PJ040 AJV2
020.21100	Load capacity-Extension
020.21200	Load capacity-Rope winch 2.5t

Subject to change, production tolerances have to be taken into account.



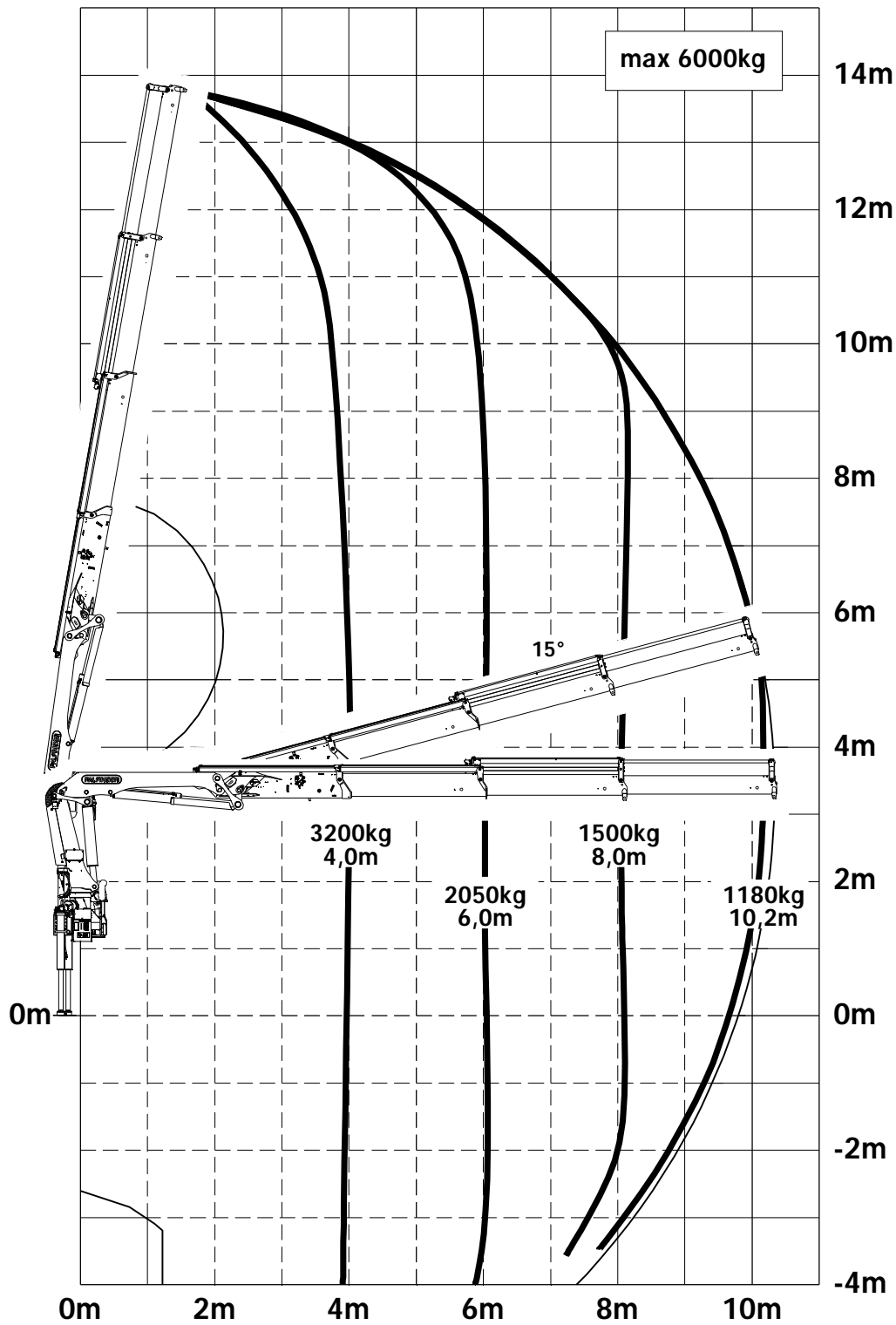
Symbolic crane figure, indications at 20° main boom position & load arm in horizontal position



For Rope winch load capacity refer to page  
Page 020.20200

Lifting capacity diagram PK 14502-SH B

Subject to change, production tolerances have to be taken into account.

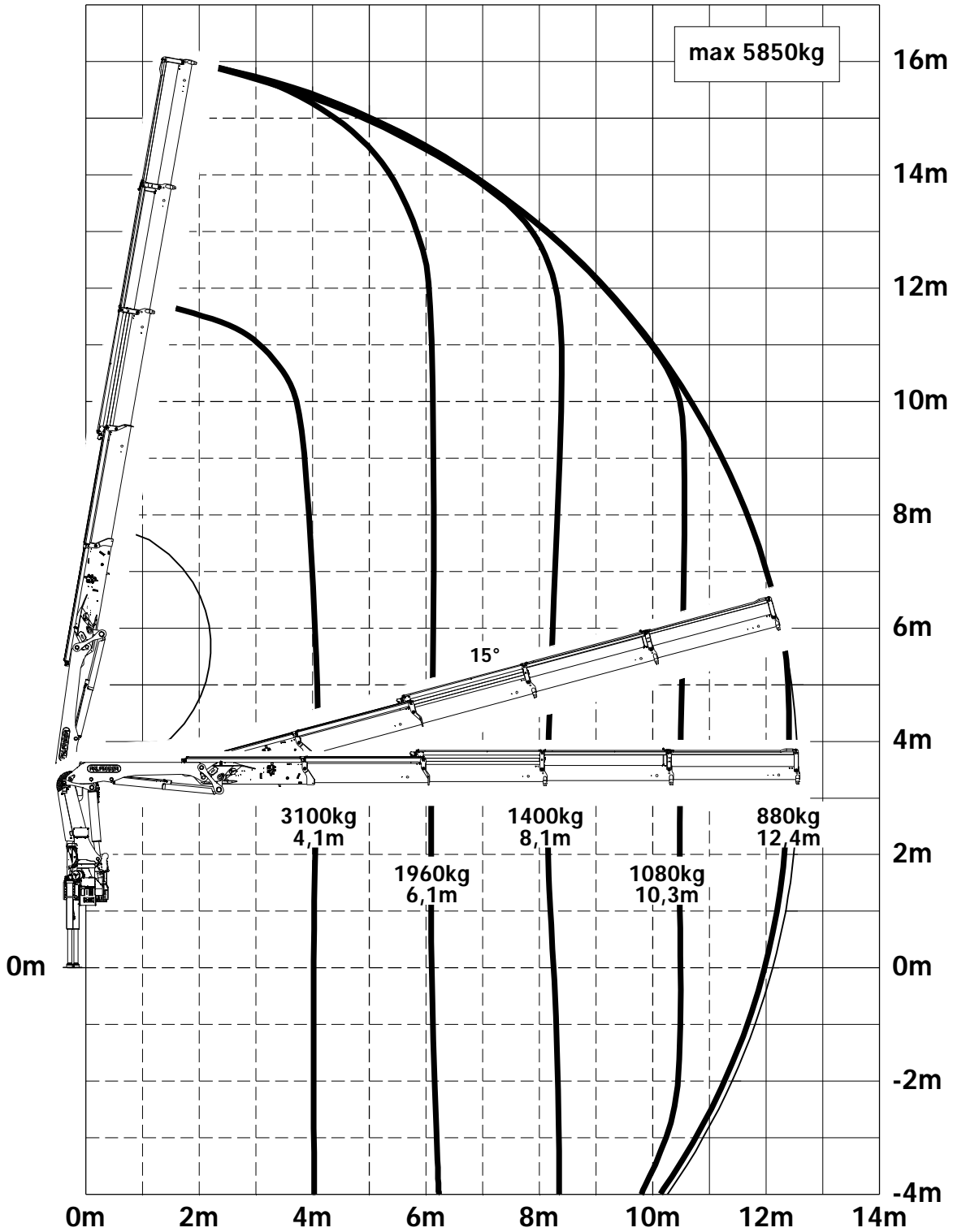


Symbolic crane figure, indications at 20° main boom position & load arm in horizontal position



For Rope winch load capacity refer to page  
Page 020.20200

Subject to change, production tolerances have to be taken into account.



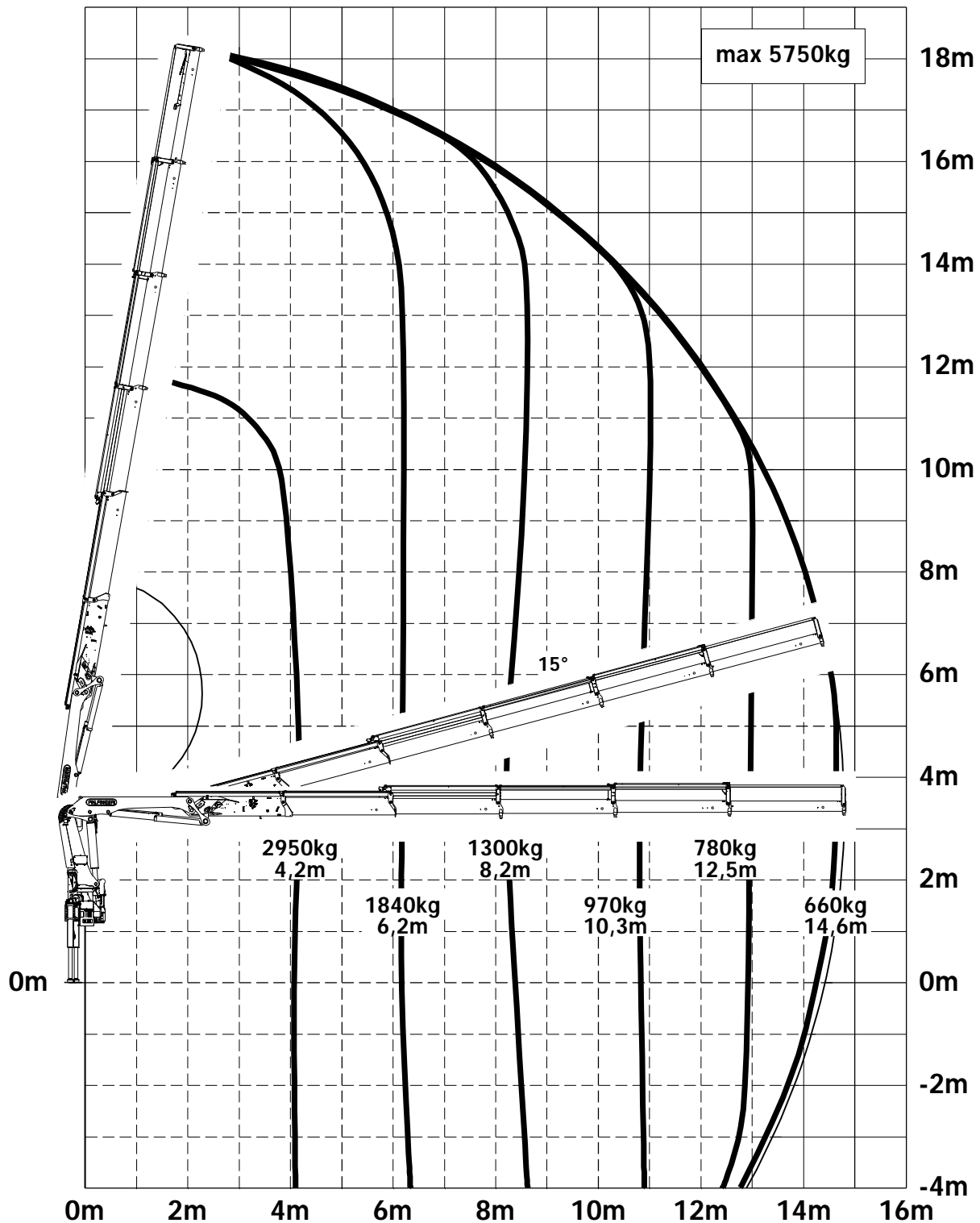
Symbolic crane figure, indications at 20° main boom position & load arm in horizontal position



For Rope winch load capacity refer to page  
Page 020.20200

Lifting capacity diagram PK 14502-SH D

Subject to change, production tolerances have to be taken into account.

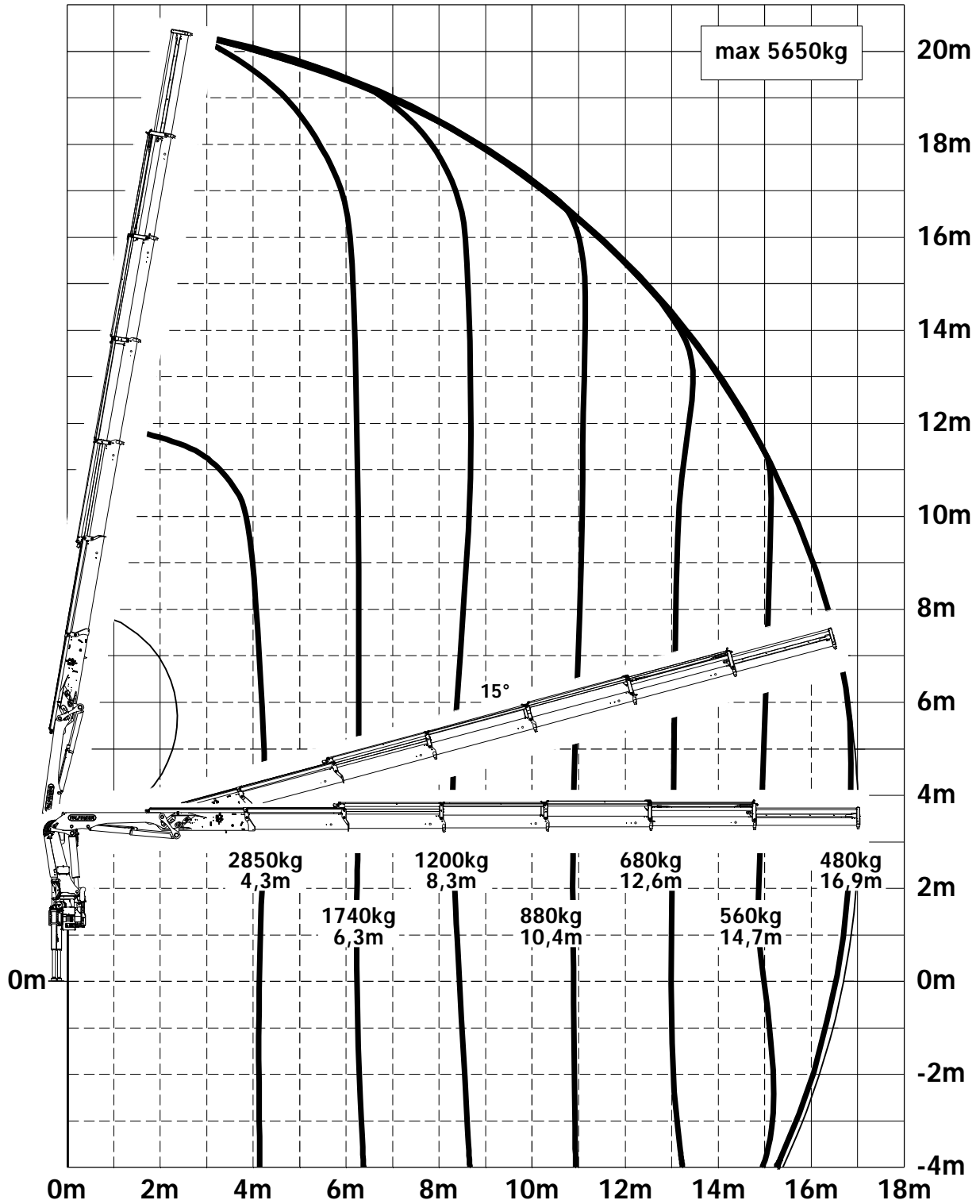


Symbolic crane figure, indications at 20° main boom position & load arm in horizontal position



For Rope winch load capacity refer to page  
Page 020.21200

Subject to change, production tolerances have to be taken into account.



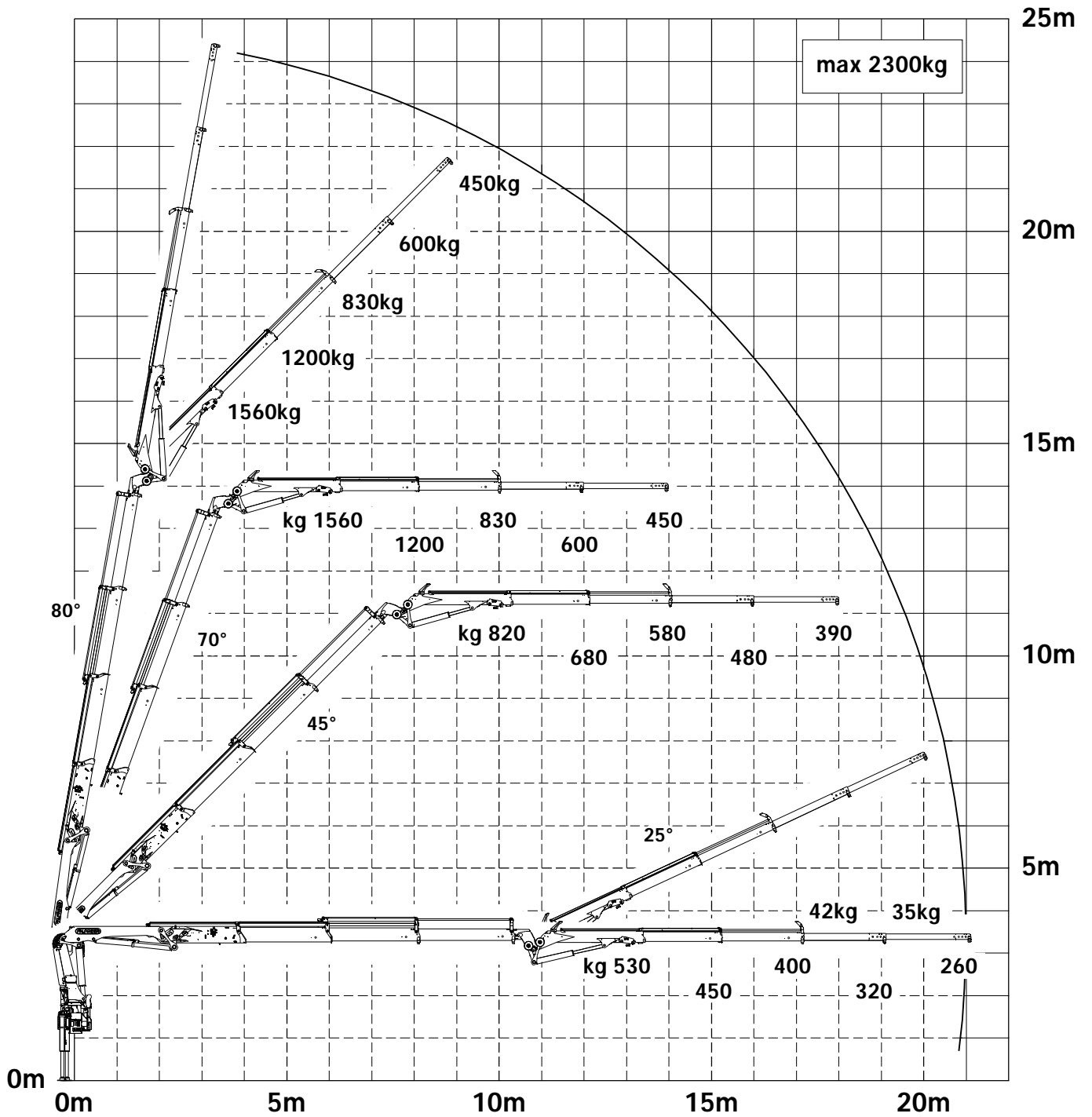
Symbolic crane figure, indications at 20° main boom position & load arm in horizontal position



For Rope winch load capacity refer to page  
Page 020.21200

Lifting capacity diagram PK 14502-SH B PJ060 AJV2

Subject to change, production tolerances have to be taken into account.



When using mechanical boom extensions, the loads shown on the charts need to be reduced by the weight of these extensions.

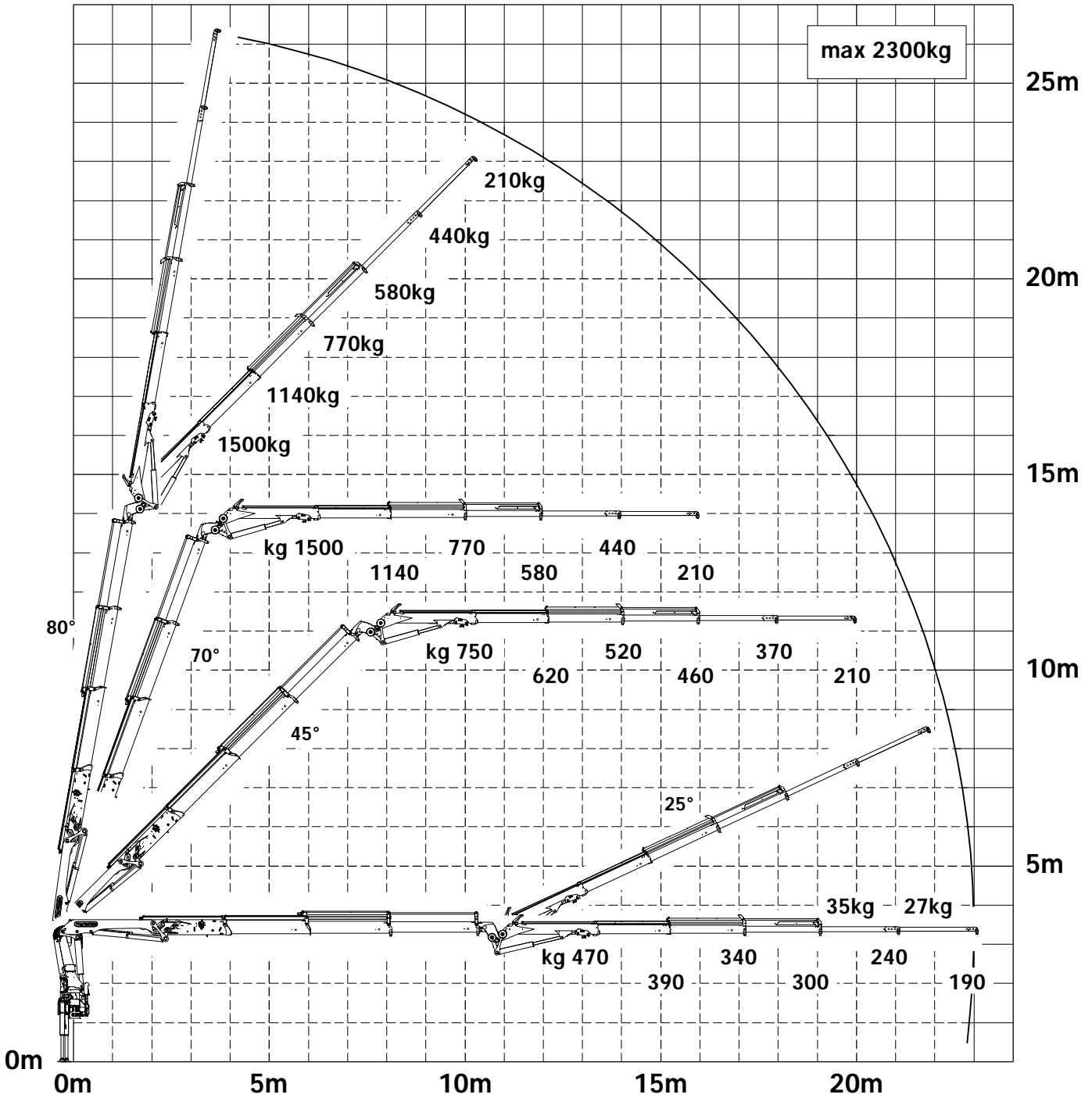
Symbolic crane figure, indications at 20° main boom position & load arm in horizontal position



For Rope winch load capacity refer to page  
Page 020.21200



Subject to change, production tolerances have to be taken into account.



When using mechanical boom extensions, the loads shown on the charts need to be reduced by the weight of these extensions.

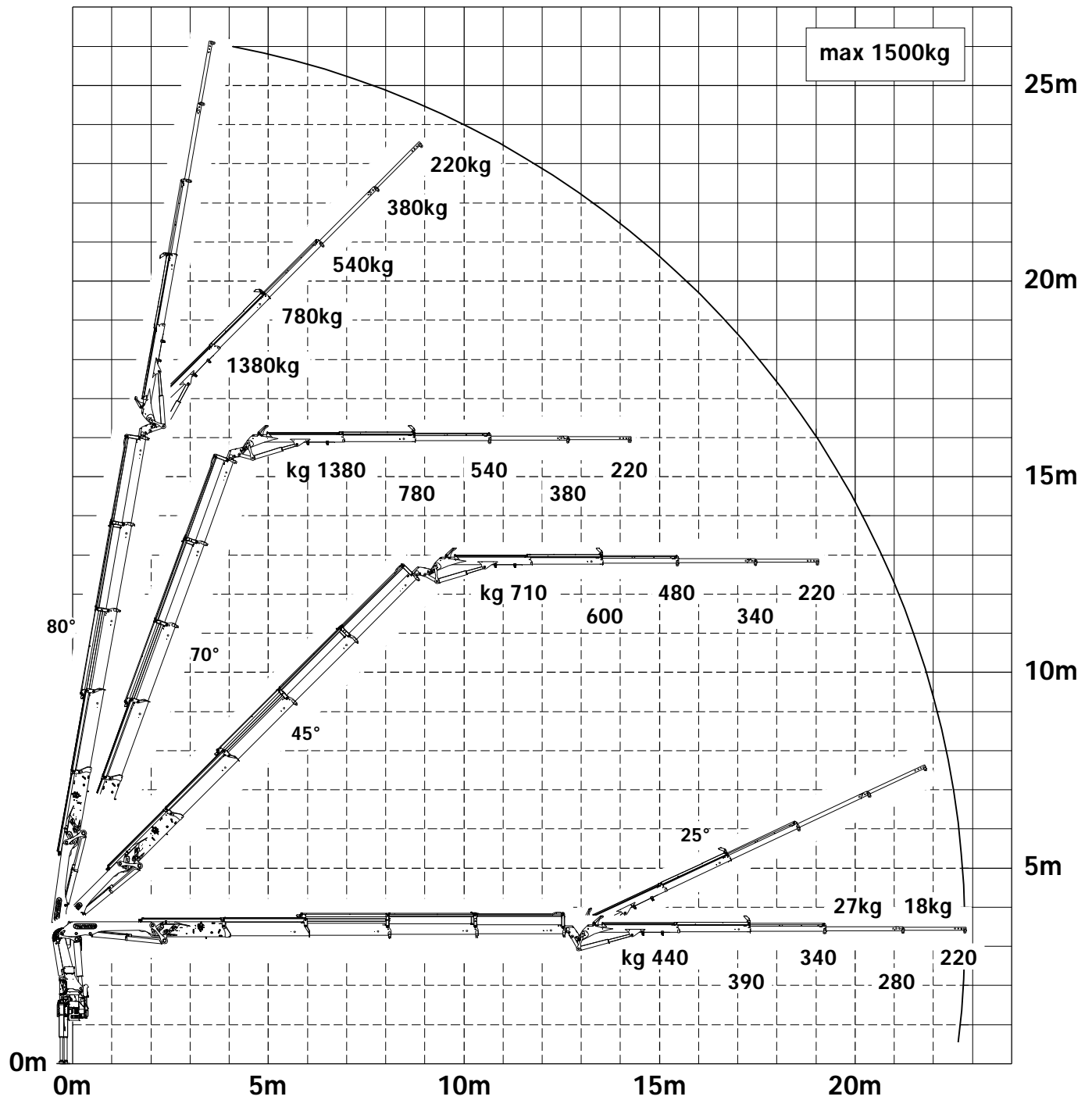
Symbolic crane figure, indications at 20° main boom position & load arm in horizontal position



For Rope winch load capacity refer to page  
Page 020.21200

Lifting capacity diagram PK 14502-SH C PJ040 AJV2

Subject to change, production tolerances have to be taken into account.



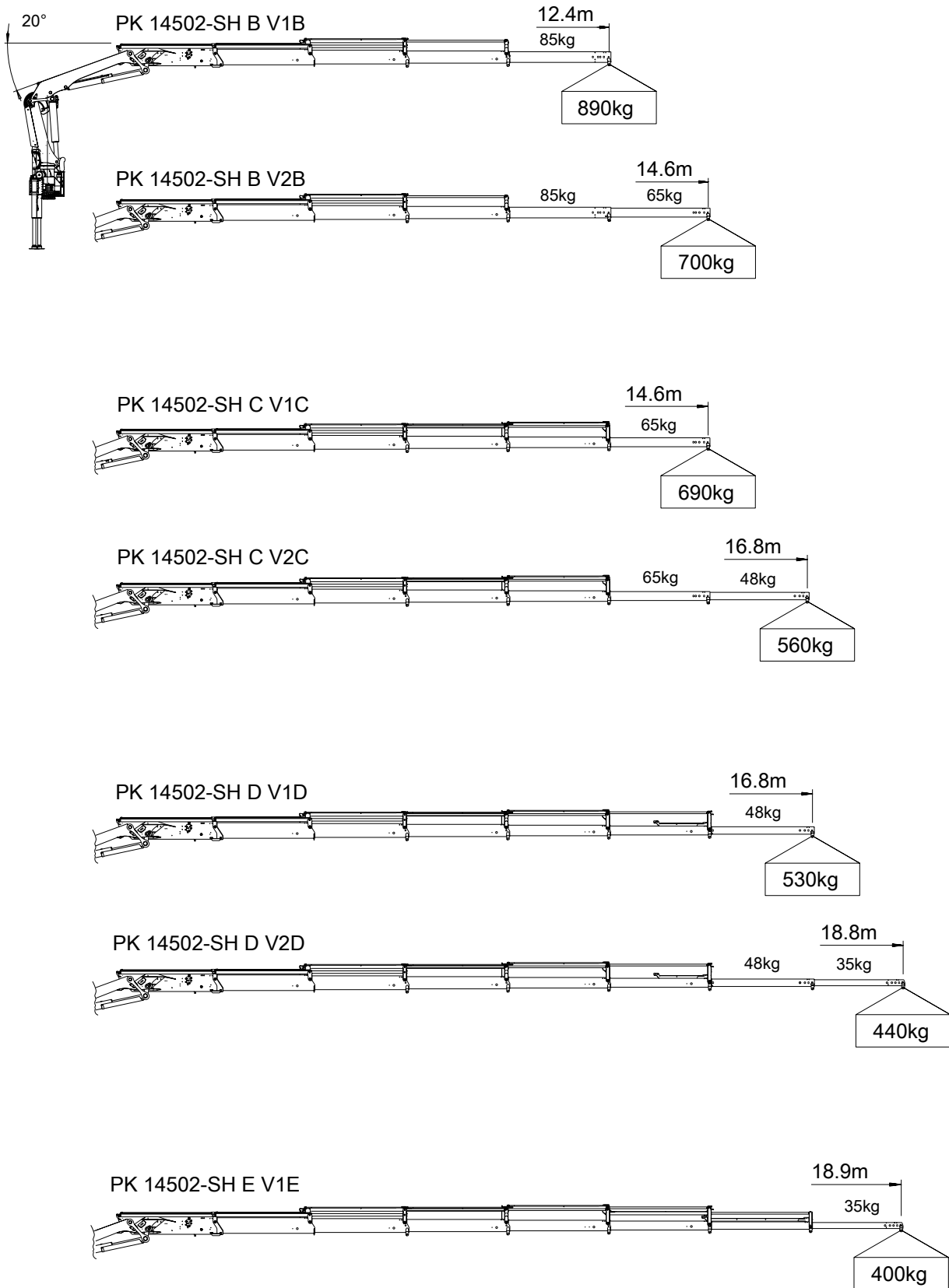
When using mechanical boom extensions, the loads shown on the charts need to be reduced by the weight of these extensions.

Symbolic crane figure, indications at 20° main boom position & load arm in horizontal position



For Rope winch load capacity refer to page  
Page 020.21200

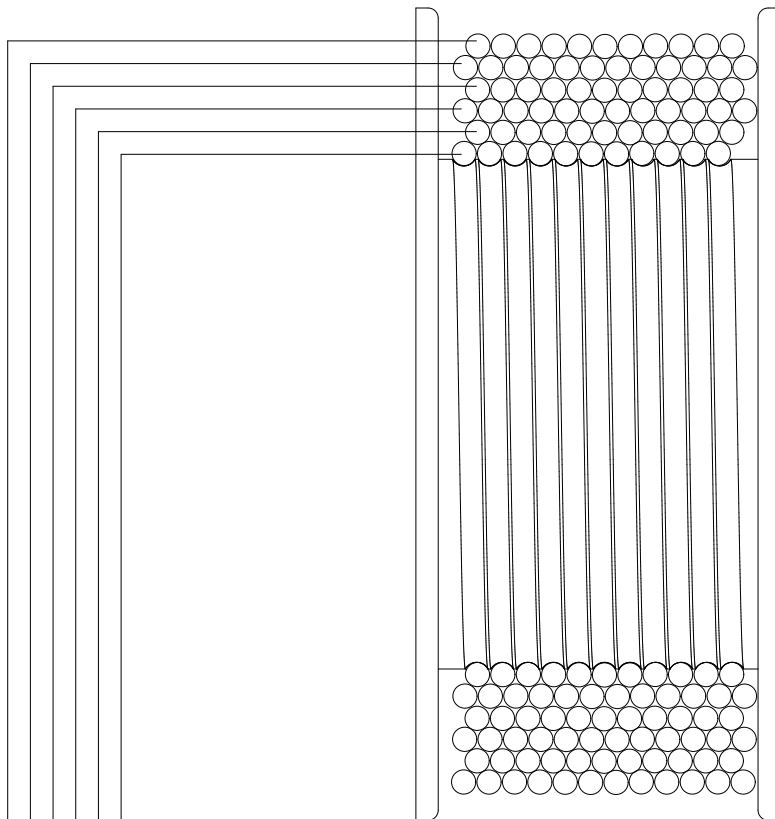
Subject to change, production tolerances have to be taken into account.


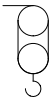


Depicted optional equipment not in all countries available.

Load capacity-Rope winch 2.5t

Subject to change, production tolerances have to be taken into account.



Strands		Strands	
1STRAN		2STRAN	
			
	Load capacity	Wire reception	
1	2500 kg [5,510 lb]	12 m [39'4"]	5000 kg [11,020 lb]
2	2350 kg [5,180 lb]	24 m [78'9"]	4690 kg [10,340 lb]
3	2210 kg [4,870 lb]	37,6 m [123'4"]	4420 kg [9,740 lb]
4	2090 kg [4,610 lb]	51 m [167'4"]	4180 kg [9,220 lb]
5	1980 kg [4,370 lb]	66,2 m [217'2"]	3970 kg [8,750 lb]
6	1880 kg [4,150 lb]	81 m [265'9"]	3760 kg [8,290 lb]

Weights of load handling devices are part of the load lifted and must be deducted from the capacity.  
Weight of the load handling equipment must be deducted from the lifting capacity.



