

Technical Specification
Hydraulic crane
PK 14.501 SLD 5
(S204-EK-B)

Edition 02/2017

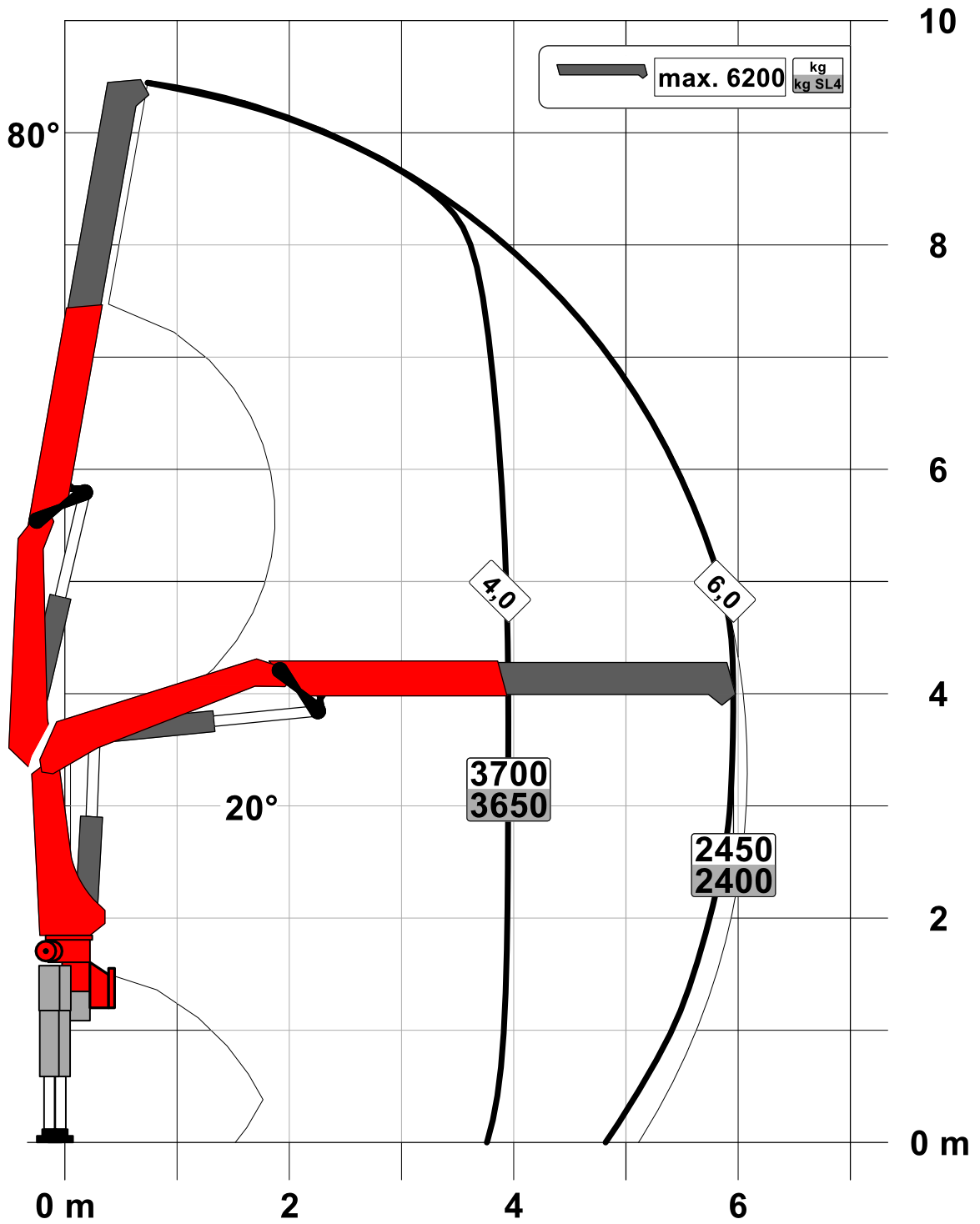
EN

PALFINGER AG
Lamprechtshausener Bundesstraße 8
5101 Bergheim / Austria
www.palfinger.com

Page	
020	LIFTING CAPACITY DIAGRAM
020.01400	Lifting capacity diagram PK 14.501 SLD ()
020.02400	Lifting capacity diagram PK 14.501 SLD A
020.03400	Lifting capacity diagram PK 14.501 SLD B
020.04400	Lifting capacity diagram PK 14.501 SLD C
020.05400	Lifting capacity diagram PK 14.501 SLD D
020.11000	Load capacity-Rope winch SKE 2.5t

Subject to change, production tolerances have to be taken into account.

Symbolic crane figure

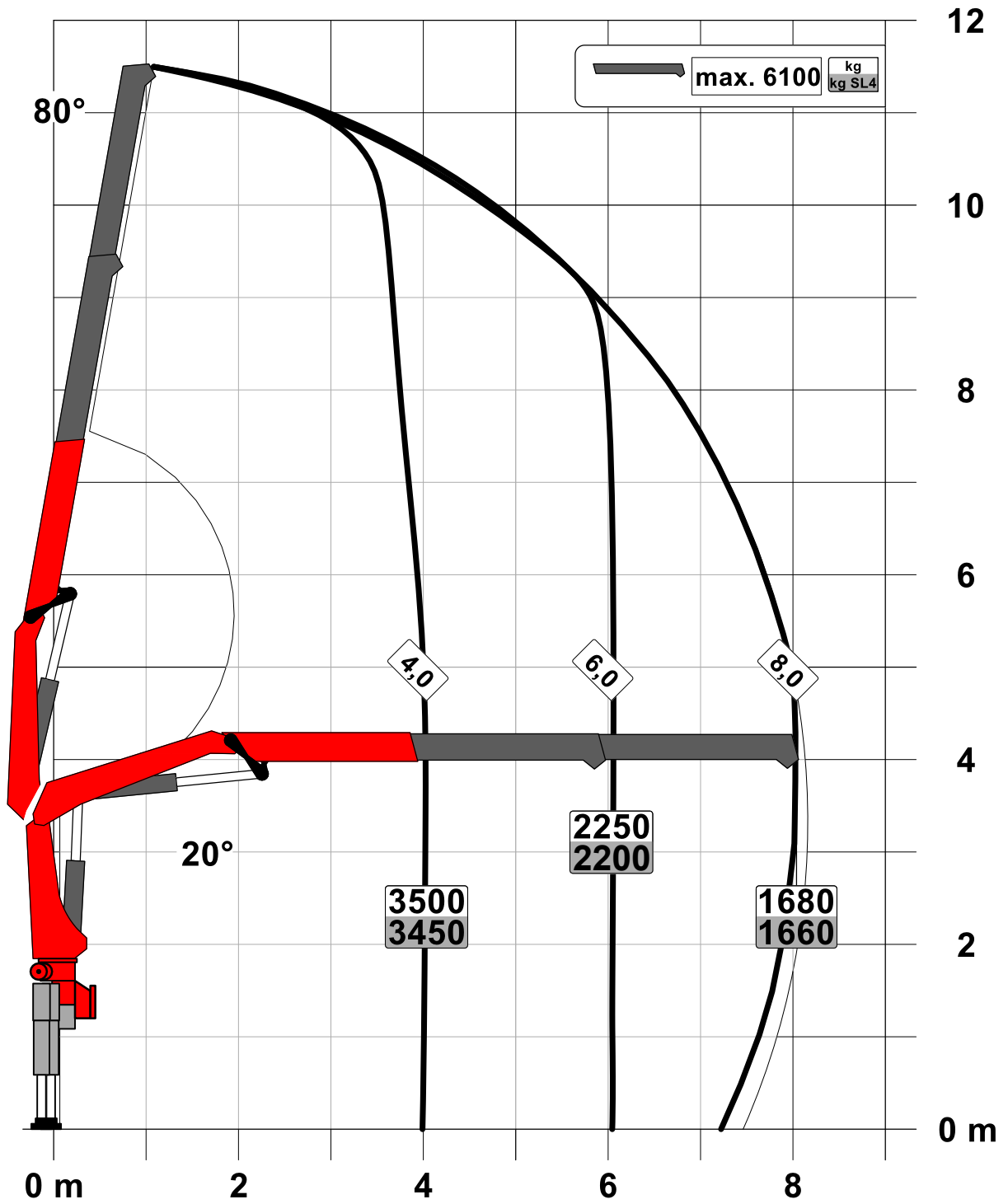


For Rope winch load capacity refer to page
Page 020.11000

Lifting capacity diagram PK 14.501 SLD A

Subject to change, production tolerances have to be taken into account.

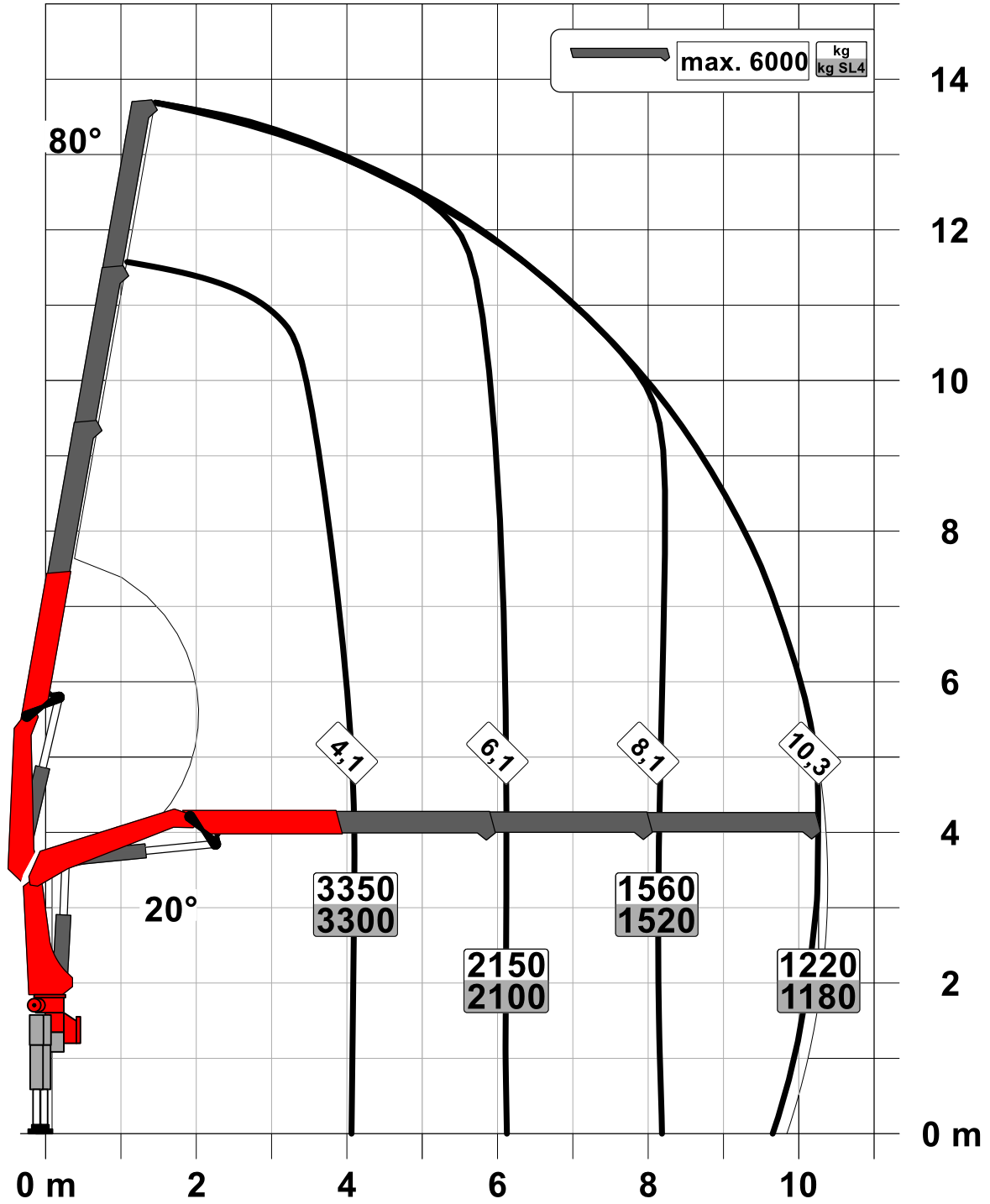
Symbolic crane figure



For Rope winch load capacity refer to page
Page 020.11000

Subject to change, production tolerances have to be taken into account.

Symbolic crane figure

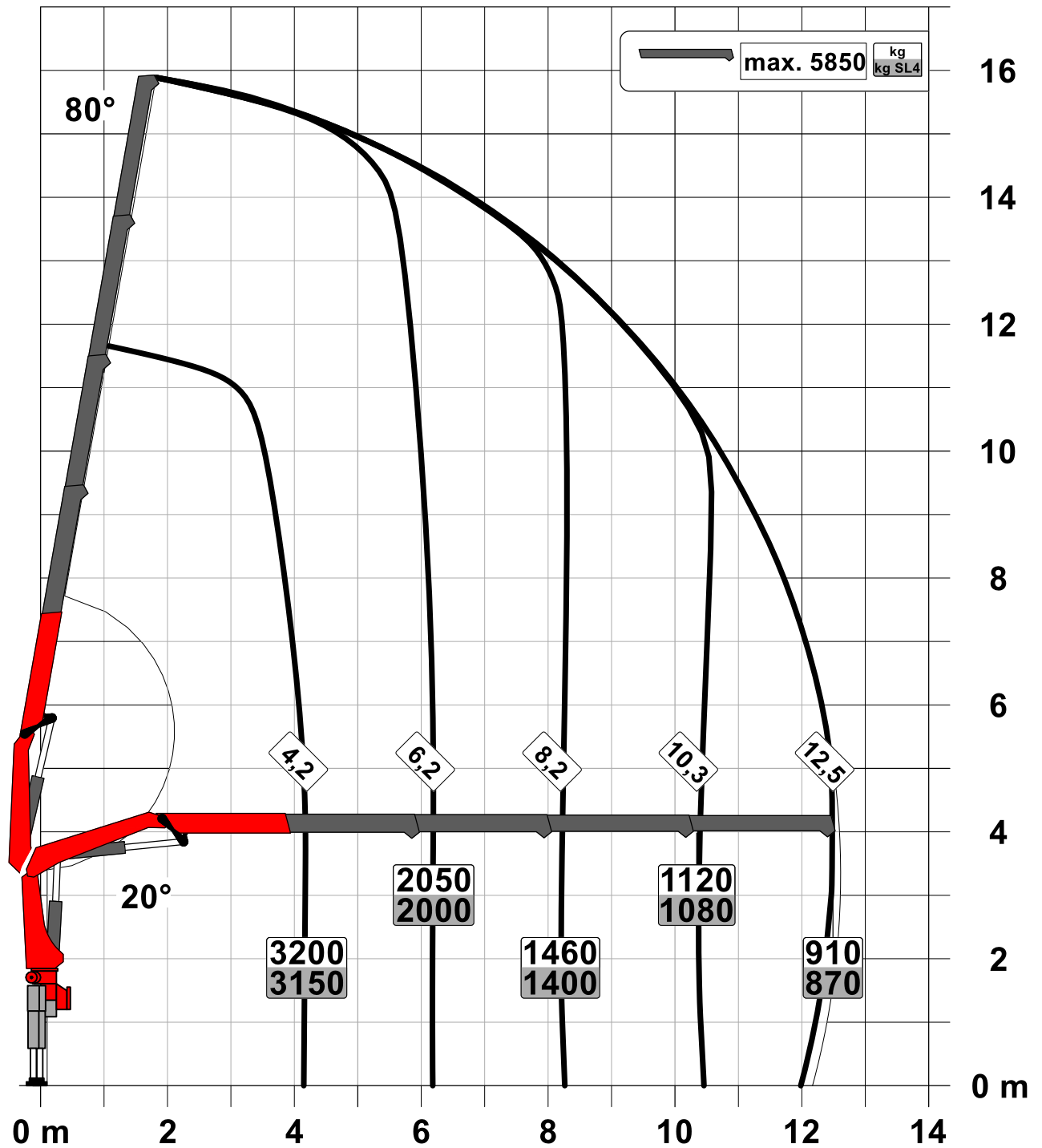


For Rope winch load capacity refer to page
Page 020.11000

Lifting capacity diagram PK 14.501 SLD C

Subject to change, production tolerances have to be taken into account.

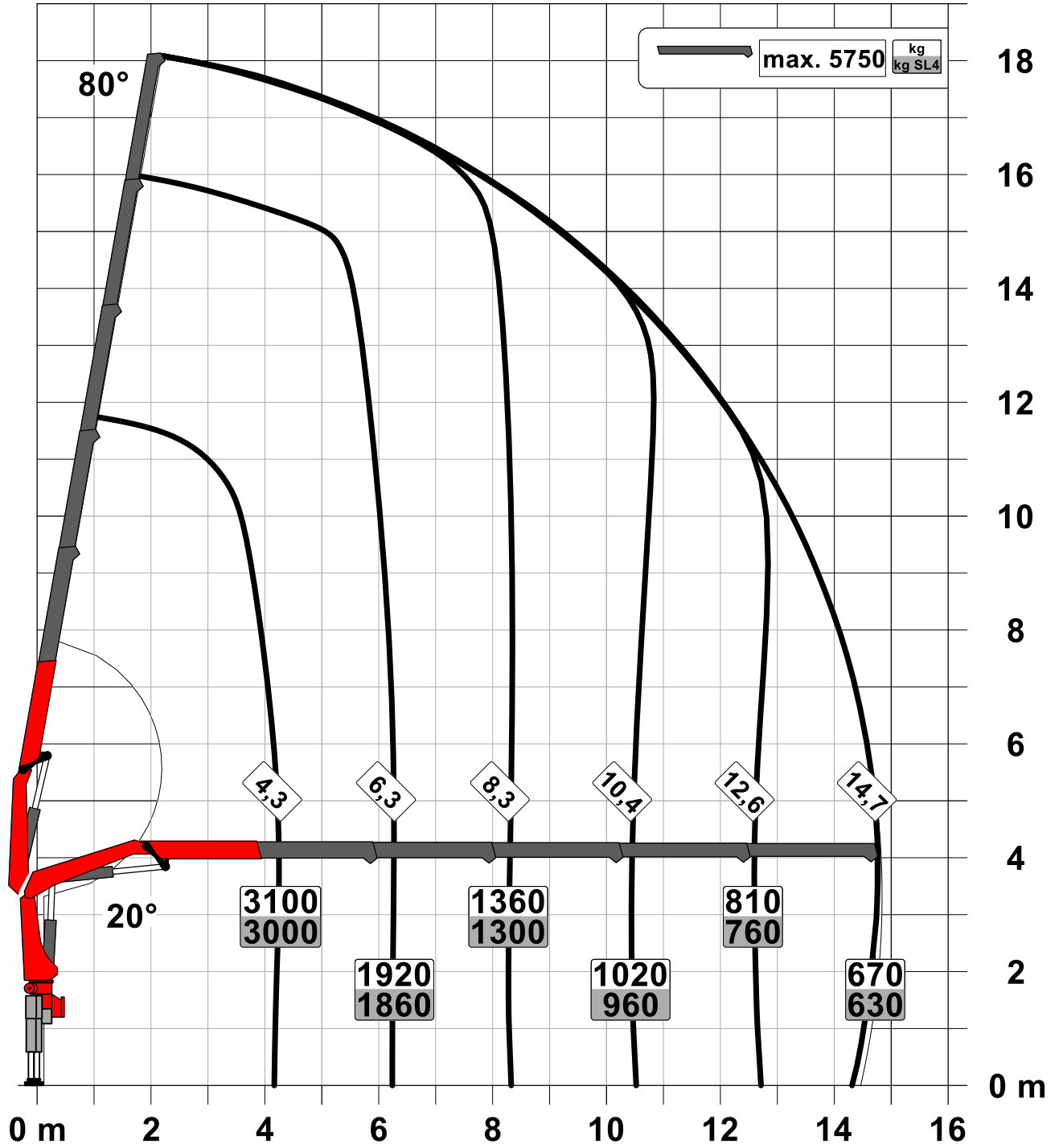
Symbolic crane figure



For Rope winch load capacity refer to page
Page 020.11000

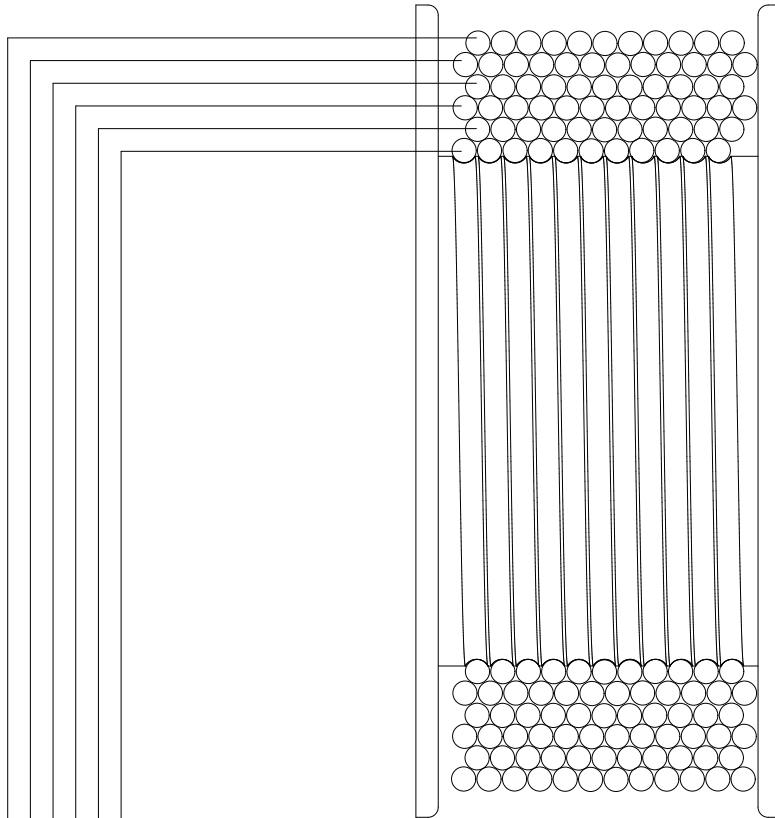
Subject to change, production tolerances have to be taken into account.


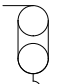
Symbolic crane figure



Load capacity-Rope winch SKE 2.5t

Subject to change, production tolerances have to be taken into account.



Strands		Strands	
1STRAN		2STRAN	
			
	Load capacity	Wire reception	
1	2500 kg [5,510 lb]	12 m [39'4"]	5000 kg [11,020 lb]
2	2350 kg [5,180 lb]	24 m [78'9"]	4690 kg [10,340 lb]
3	2210 kg [4,870 lb]	37,6 m [123'4"]	4420 kg [9,740 lb]
4	2090 kg [4,610 lb]	51 m [167'4"]	4180 kg [9,220 lb]
5	1980 kg [4,370 lb]	66,2 m [217'2"]	3970 kg [8,750 lb]
6	1880 kg [4,150 lb]	81 m [265'9"]	3760 kg [8,290 lb]

Weights of load handling devices are part of the load lifted and must be deducted from the capacity.
Weight of the load handling equipment must be deducted from the lifting capacity.

