

Technical Specification
Hydraulic crane
PK 12.501 SLD 5
(S106-EK-B)

Edition 08/2016

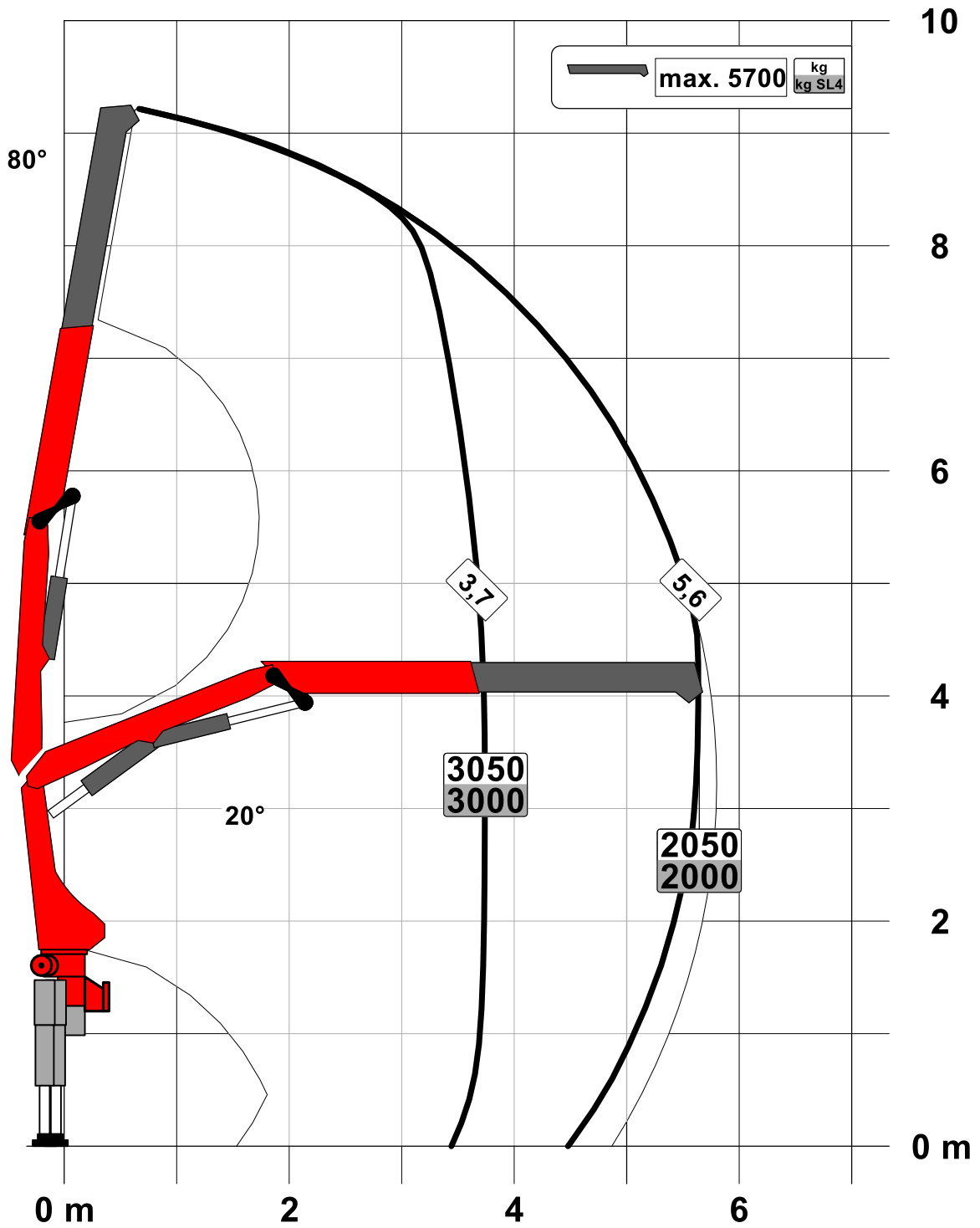
EN

PALFINGER AG
Lamprechtshausener Bundesstraße 8
5101 Bergheim / Austria
www.palfinger.com

Page	
020	LIFTING CAPACITY DIAGRAM
020.01300	Lifting capacity diagram PK 12.501 SLD ()
020.02300	Lifting capacity diagram PK 12.501 SLD A
020.03300	Lifting capacity diagram PK 12.501 SLD B
020.04300	Lifting capacity diagram PK 12.501 SLD C
020.11000	Load capacity-Rope winch 1.5t

Subject to change, production tolerances have to be taken into account.

Symbolic crane figure

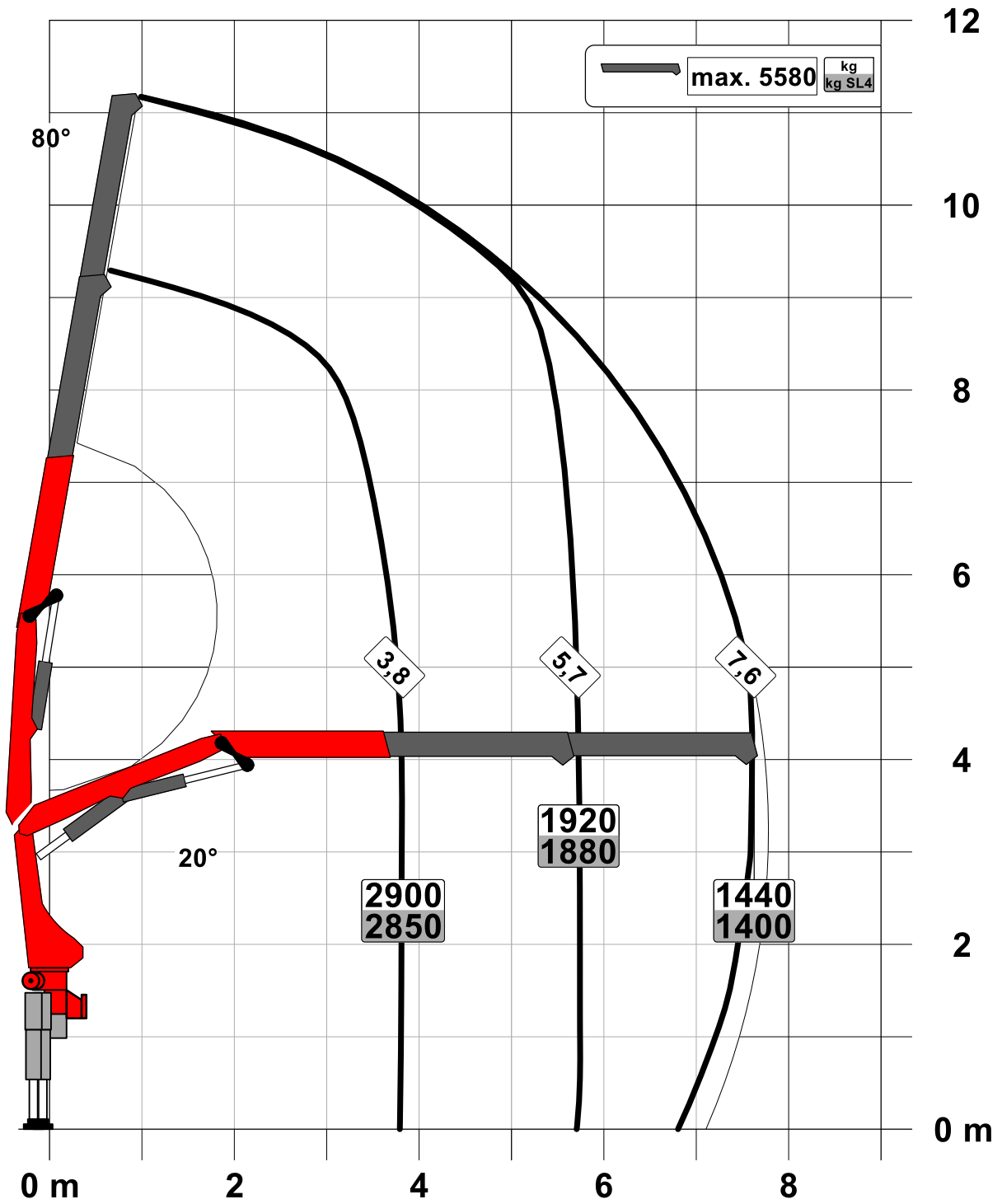


For Rope winch load capacity refer to page
Page 020.11000

Lifting capacity diagram PK 12.501 SLD A

Subject to change, production tolerances have to be taken into account.

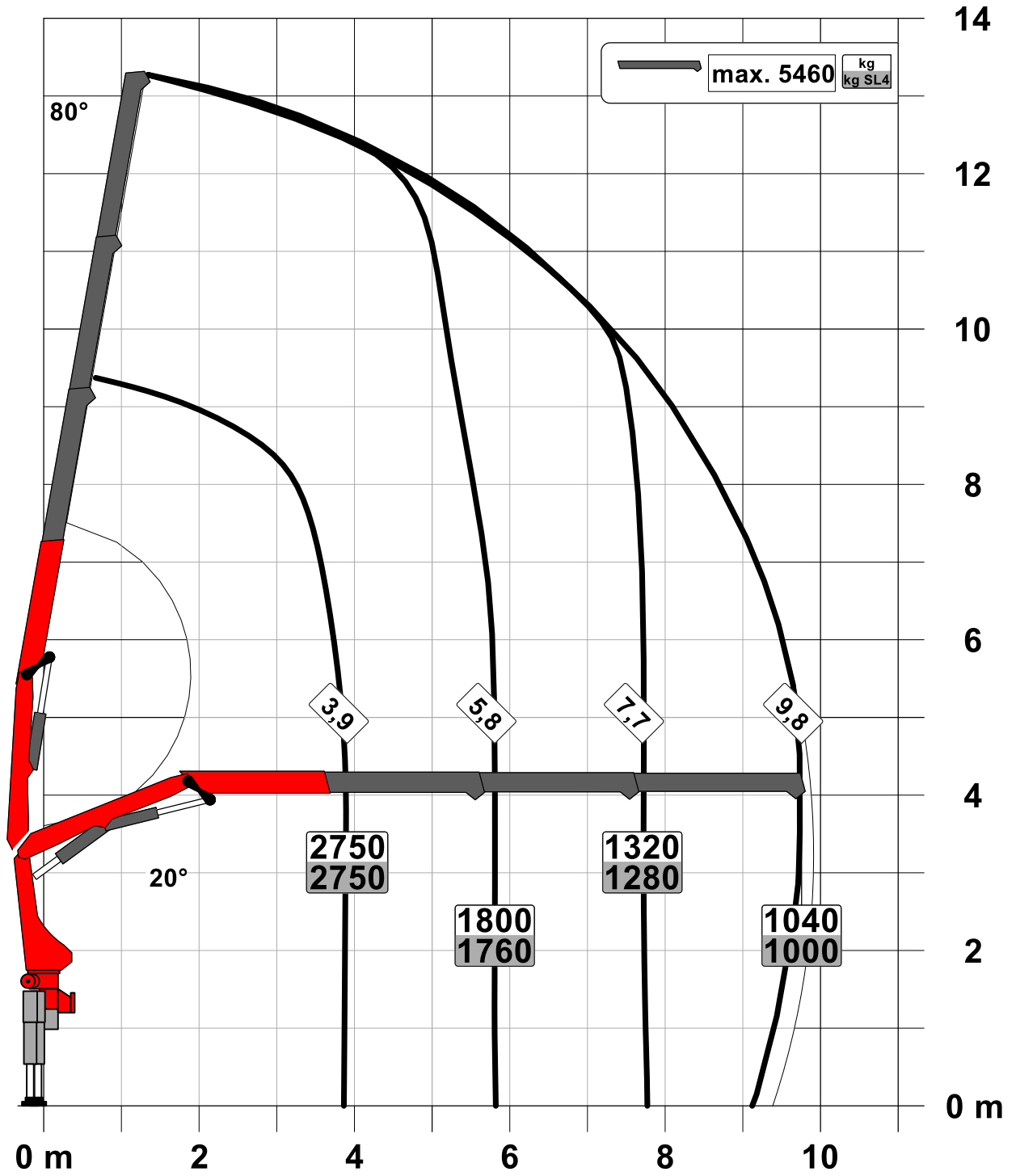
Symbolic crane figure



For Rope winch load capacity refer to page
Page 020.11000

Subject to change, production tolerances have to be taken into account.

Symbolic crane figure

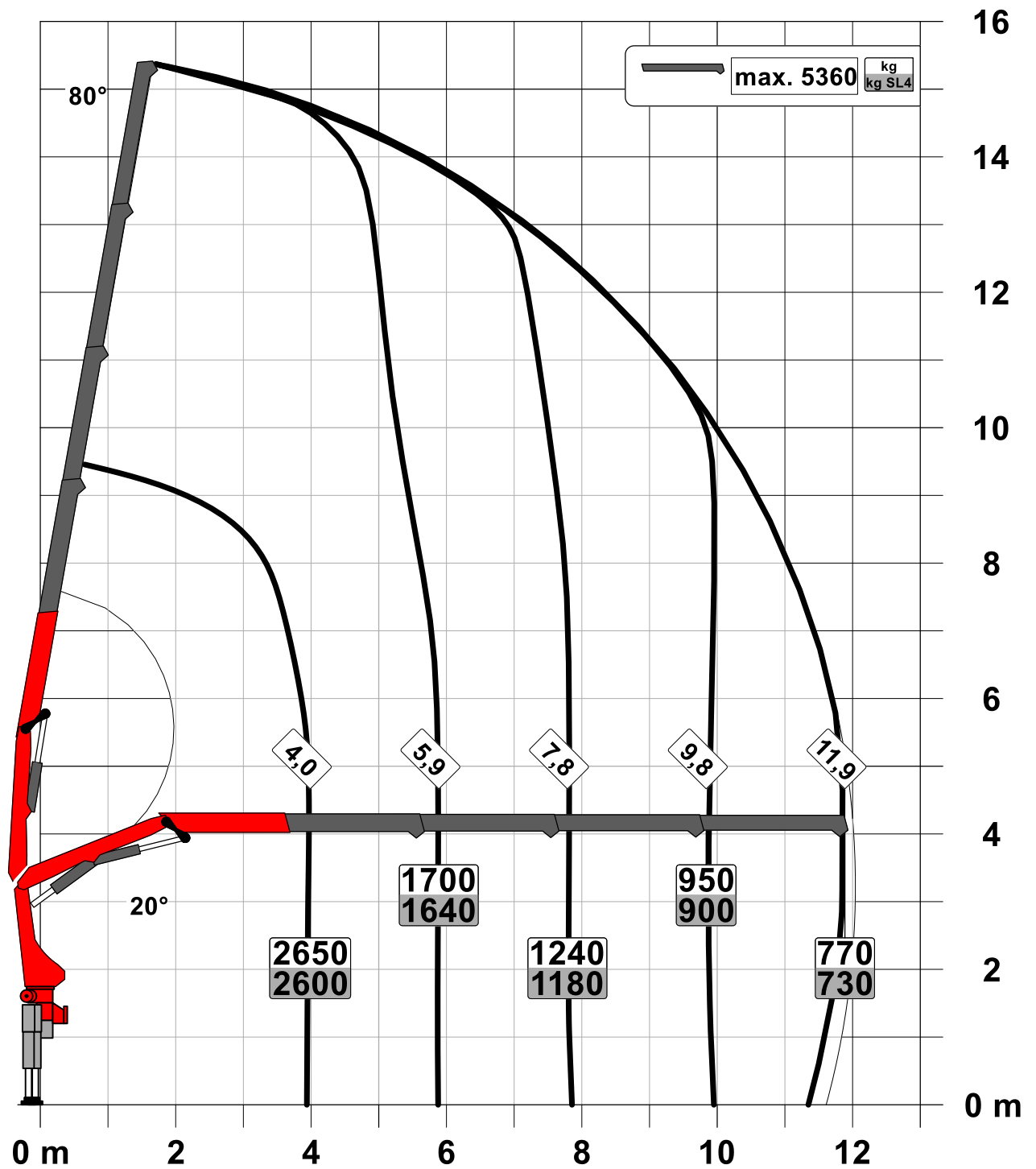


For Rope winch load capacity refer to page
Page 020.11000

Lifting capacity diagram PK 12.501 SLD C

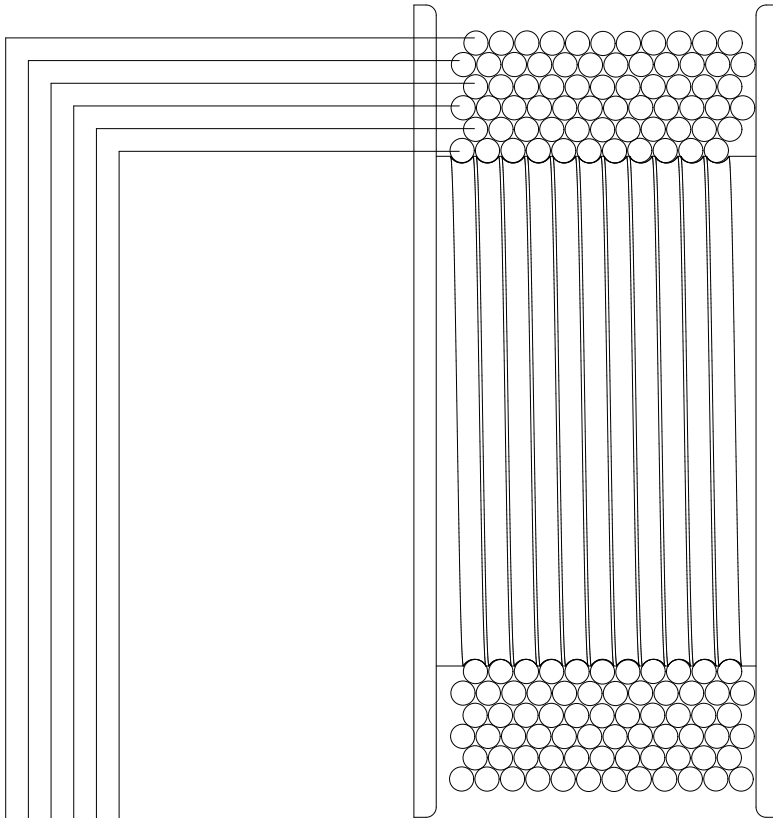
Subject to change, production tolerances have to be taken into account.


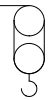
Symbolic crane figure



For Rope winch load capacity refer to page
Page 020.11000

Subject to change, production tolerances have to be taken into account.



Strands		Strands	
1STRAN		2STRAN	
			
	Load capacity	Wire reception	
1	1500 kg [3,310 lb]	9,7 m [31'10"]	3000 kg [6,610 lb]
2	1400 kg [3,090 lb]	19,5 m [64'0"]	2790 kg [6,190 lb]
3	1310 kg [2,890 lb]	30,6 m [100'5"]	2620 kg [5,780 lb]
4	1230 kg [2,710 lb]	41,7 m [136'10"]	2460 kg [5,420 lb]
5	1160 kg [2,560 lb]	54,3 m [178'2"]	2320 kg [5,120 lb]
6	-	-	-

Weights of load handling devices are part of the load lifted and must be deducted from the capacity.
Weight of the load handling equipment must be deducted from the lifting capacity.

