

# Technical Specification

## Hydraulic crane

### PK 10002 SH

(S105-SK-D)

---

Edition 06/2012

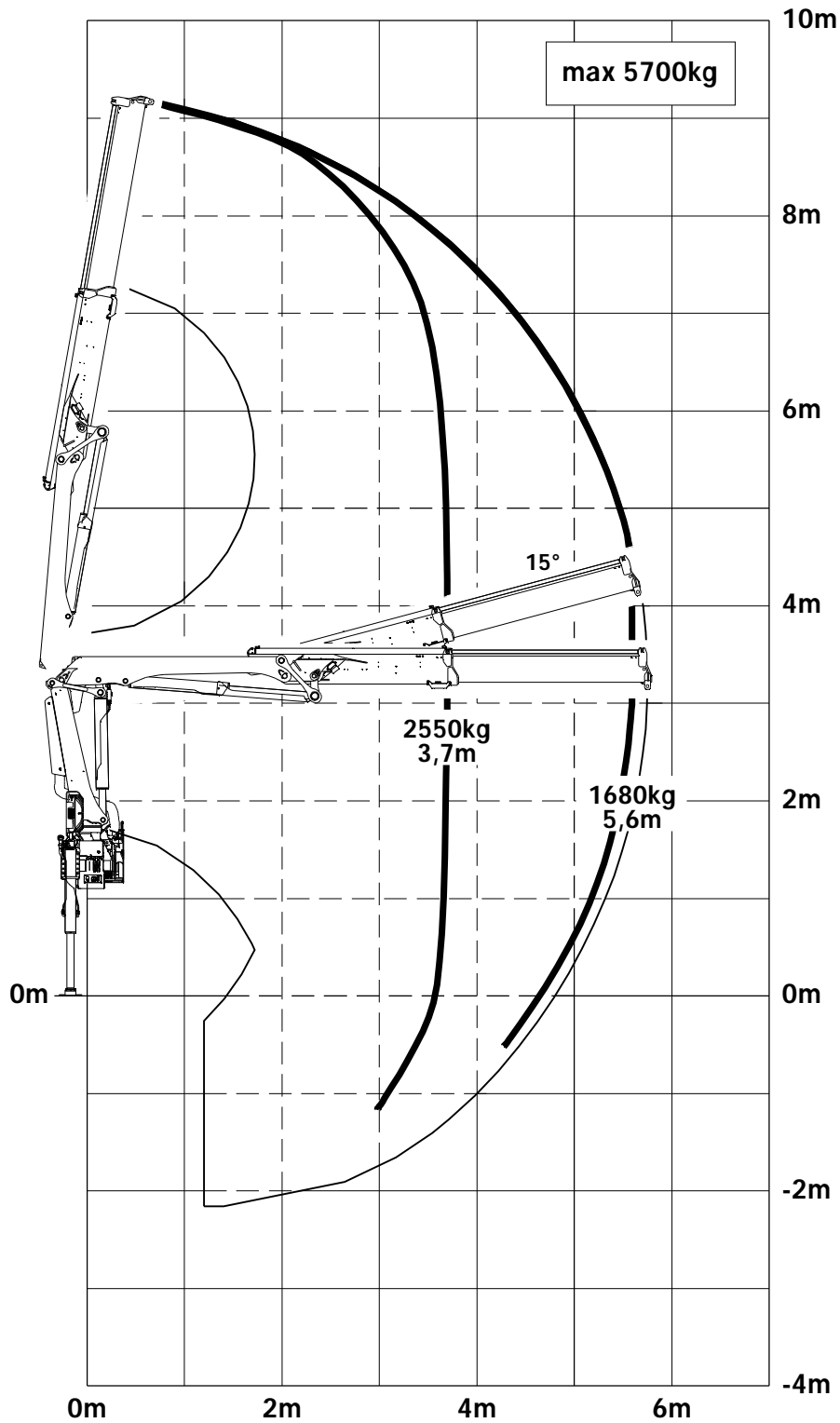
EN

---

PALFINGER AG  
Lamprechtshausener Bundesstraße 8  
5101 Bergheim / Austria  
[www.palfinger.com](http://www.palfinger.com)

Page	
020	LIFTING CAPACITY DIAGRAM
020.01100	Lifting capacity diagram PK 10002-SH ()
020.02100	Lifting capacity diagram PK 10002 SH A
020.03100	Lifting capacity diagram PK 10002-SH B
020.04100	Lifting capacity diagram PK 10002-SH C
020.05100	Lifting capacity diagram PK 10002-SH D
020.21100	Load capacity-Extension
020.21200	Load capacity-Rope winch 1.5t

Subject to change, production tolerances have to be taken into account.



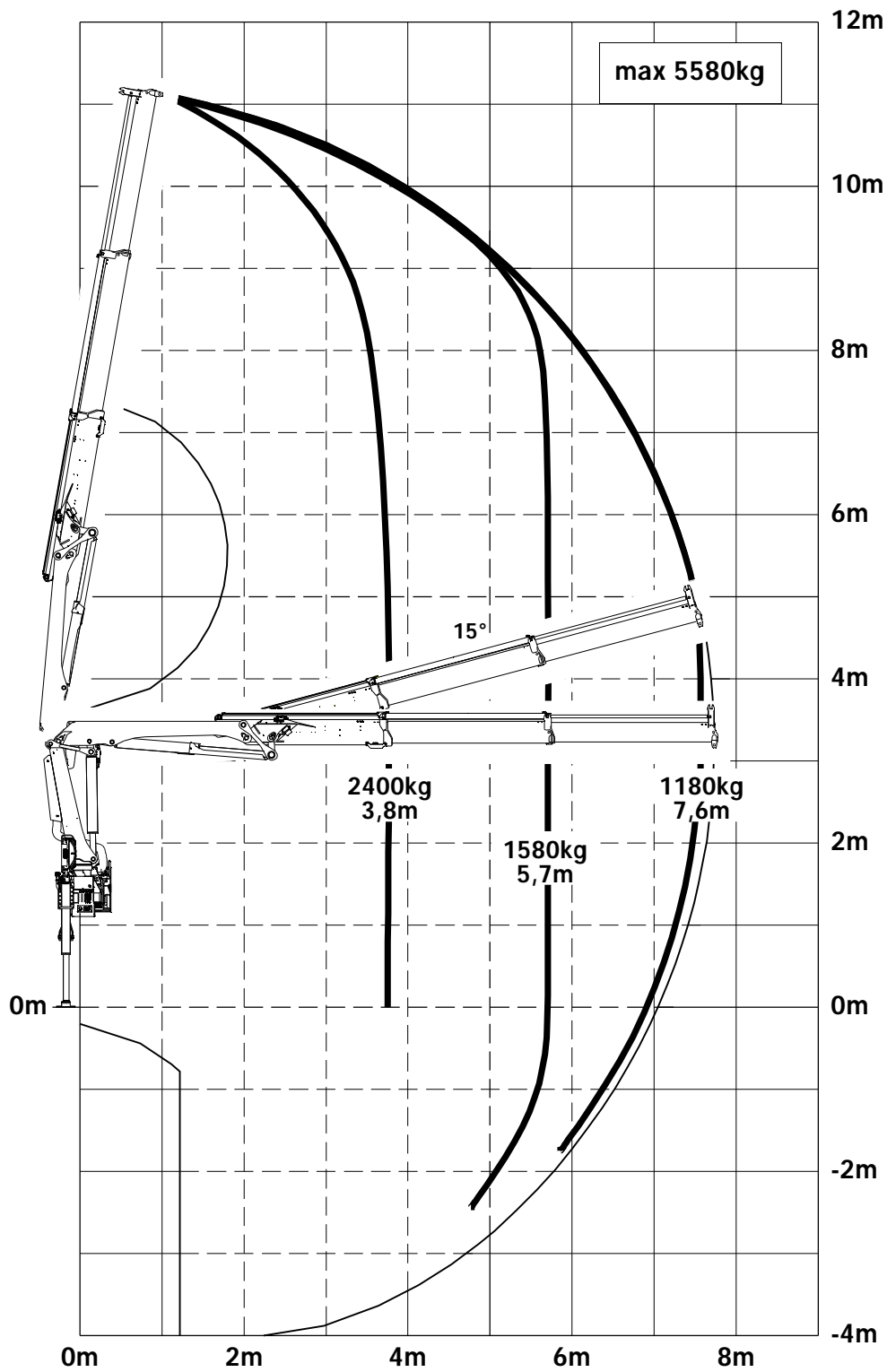
Symbolic crane figure, indications at 20° main boom position & load arm in horizontal position



For Rope winch load capacity refer to page  
Page 020.21200

Lifting capacity diagram PK 10002 SH A

Subject to change, production tolerances have to be taken into account.

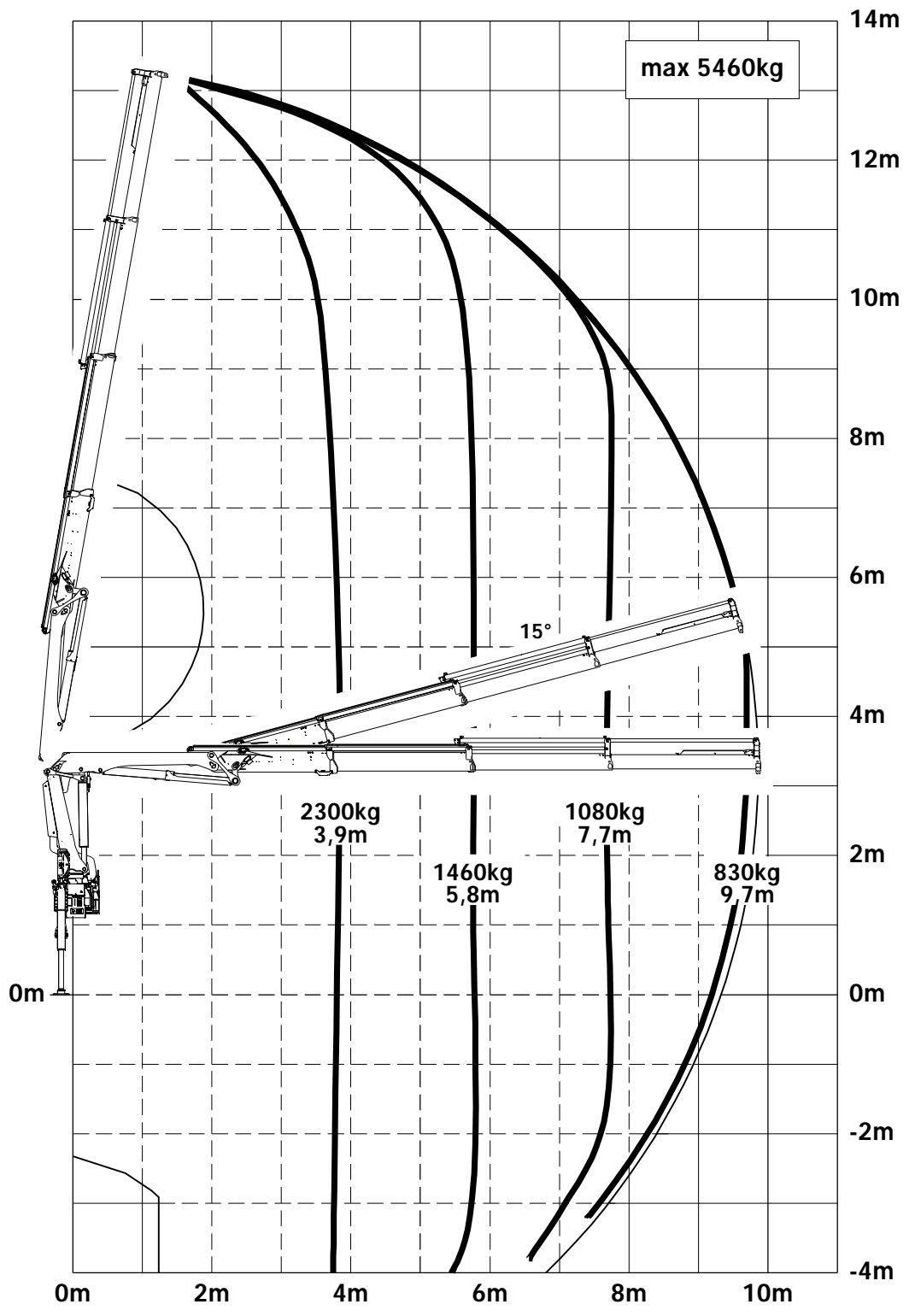


Symbolic crane figure, indications at 20° main boom position & load arm in horizontal position



For Rope winch load capacity refer to page  
Page 020.21200

Subject to change, production tolerances have to be taken into account.



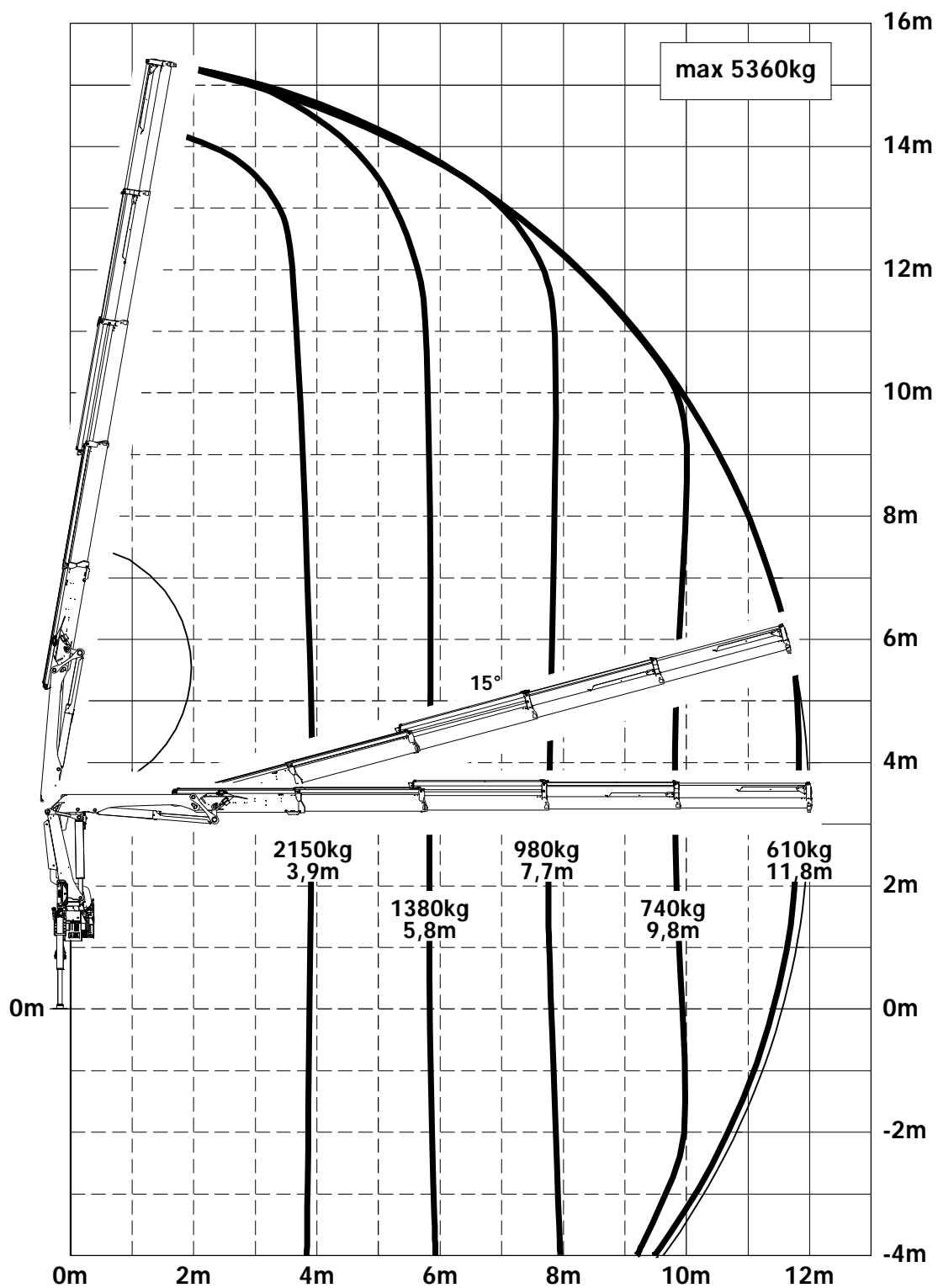
Symbolic crane figure, indications at 20° main boom position & load arm in horizontal position



For Rope winch load capacity refer to page  
Page 020.21200

Lifting capacity diagram PK 10002-SH C

Subject to change, production tolerances have to be taken into account.

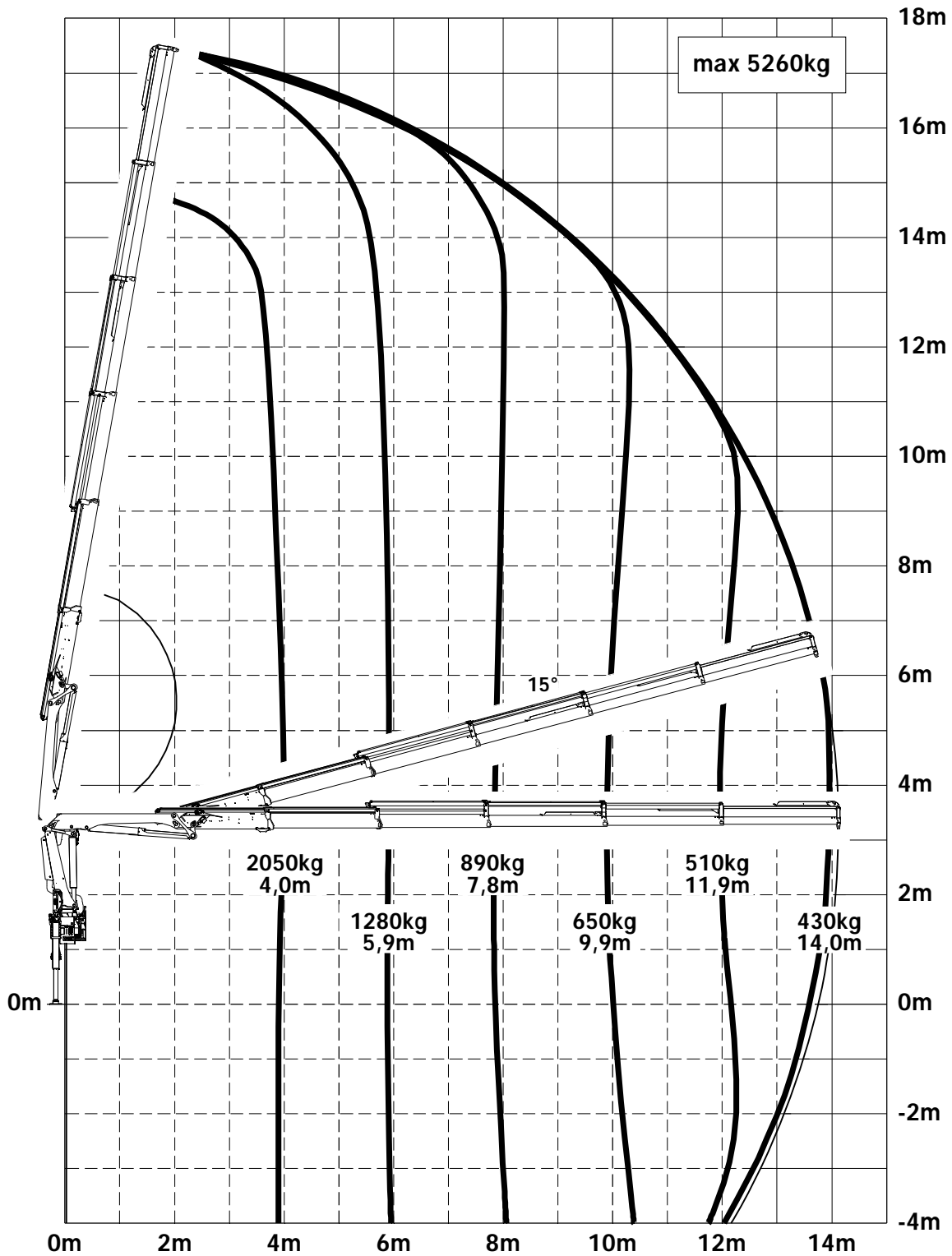


Symbolic crane figure, indications at 20° main boom position & load arm in horizontal position



For Rope winch load capacity refer to page  
Page 020.21200

Subject to change, production tolerances have to be taken into account.



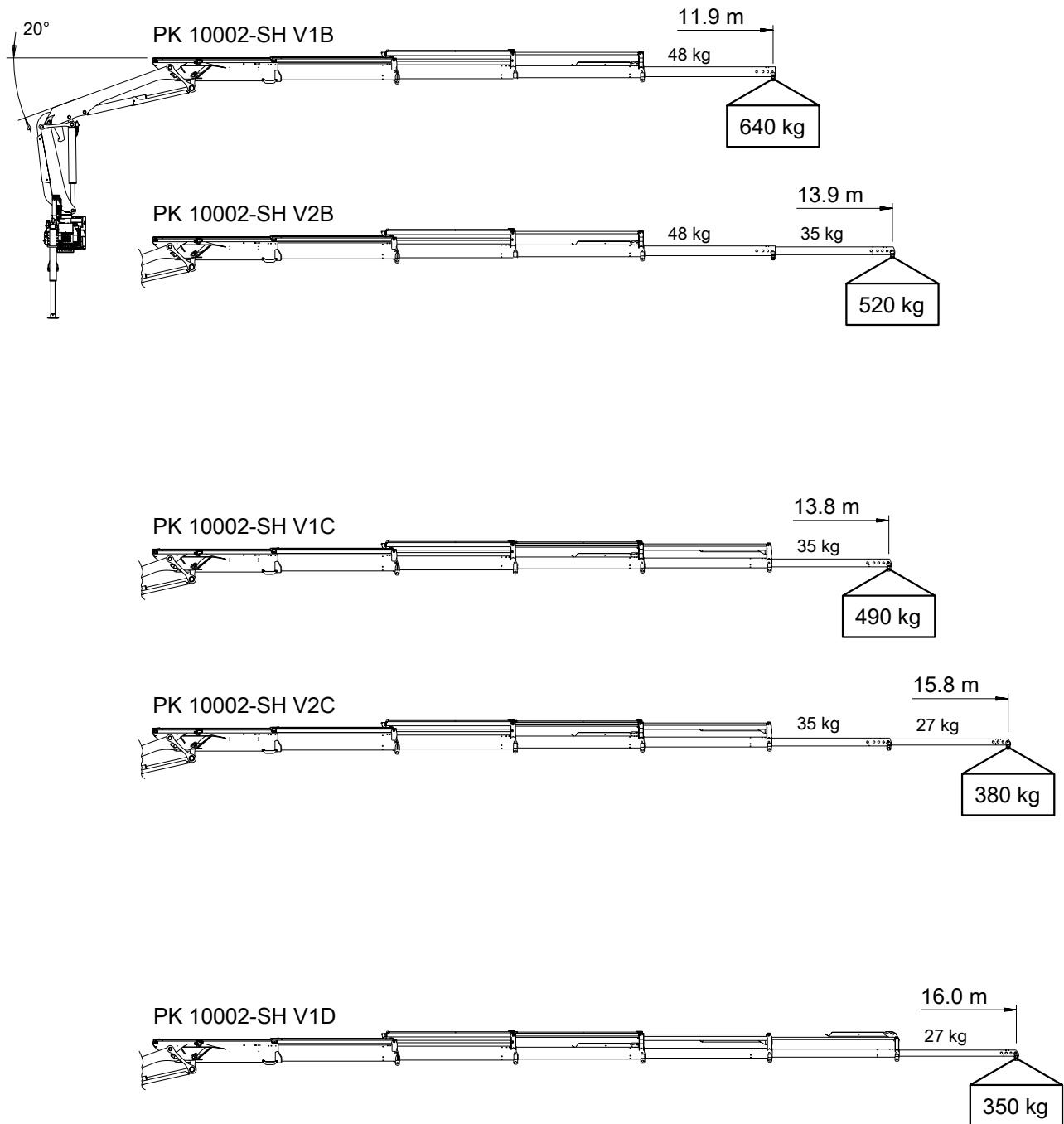
Symbolic crane figure, indications at 20° main boom position & load arm in horizontal position



For Rope winch load capacity refer to page  
Page 020.21200

Load capacity-Extension

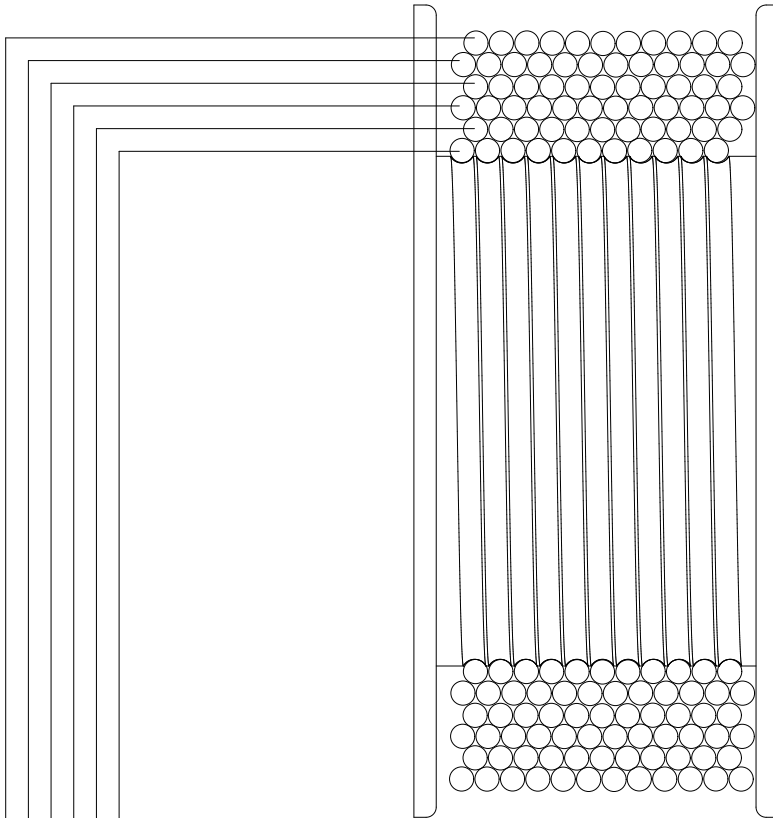
Subject to change, production tolerances have to be taken into account.


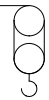


Depicted optional equipment not in all countries available.



Subject to change, production tolerances have to be taken into account.



Strands		Strands	
1STRAN		2STRAN	
			
	Load capacity	Wire reception	
1	1500 kg [3,310 lb]	9,7 m [31'10"]	3000 kg [6,610 lb]
2	1400 kg [3,090 lb]	19,5 m [64'0"]	2790 kg [6,190 lb]
3	1310 kg [2,890 lb]	30,6 m [100'5"]	2620 kg [5,780 lb]
4	1230 kg [2,710 lb]	41,7 m [136'10"]	2460 kg [5,420 lb]
5	1160 kg [2,560 lb]	54,3 m [178'2"]	2320 kg [5,120 lb]
6	-	-	-

Weights of load handling devices are part of the load lifted and must be deducted from the capacity.  
Weight of the load handling equipment must be deducted from the lifting capacity.

